

4

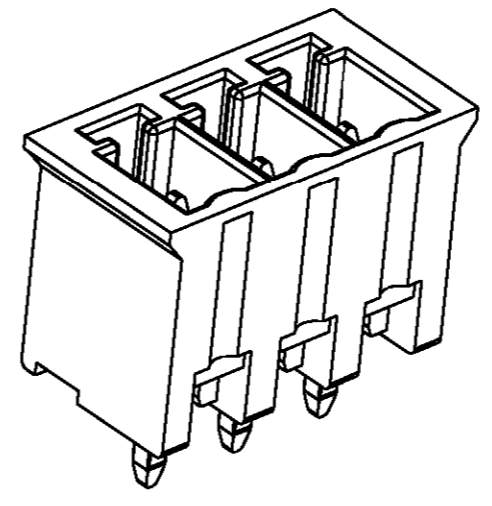
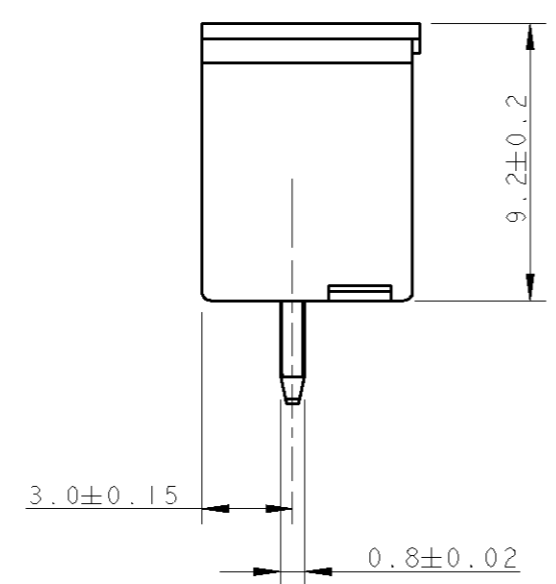
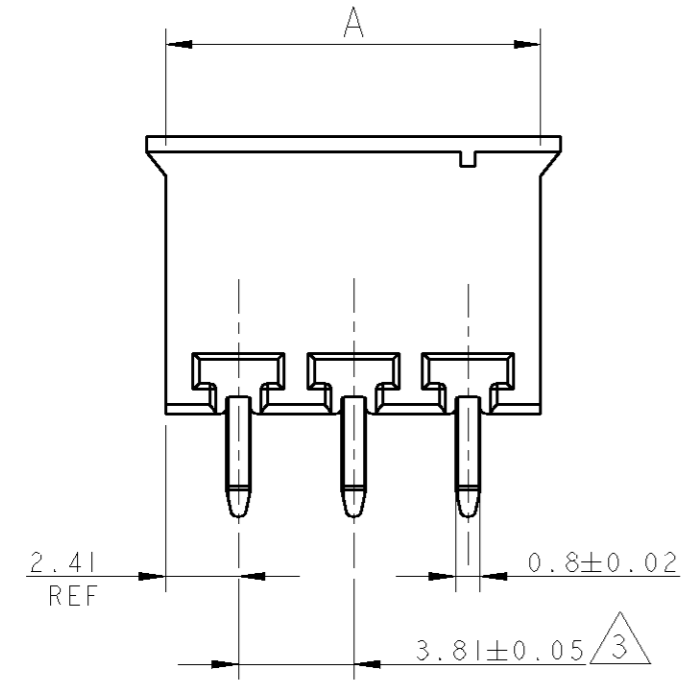
3

2

1

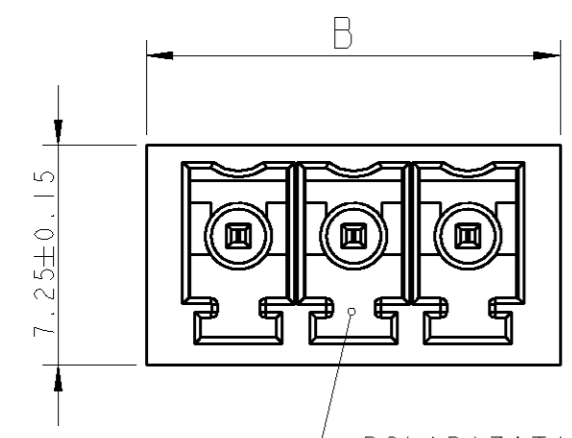
THIS DRAWING IS UNPUBLISHED. RELEASED FOR PUBLICATION 20  
 © COPYRIGHT 20 BY TYCO ELECTRONICS CORPORATION. ALL RIGHTS RESERVED.

| LOC | DIST | REVISIONS                |           |     |      |
|-----|------|--------------------------|-----------|-----|------|
| P   | LTR  | DESCRIPTION              | DATE      | DWN | APVD |
|     | B    | REVISED PER 0G3B-0119-01 | 06FEB2002 | EZ  | DB   |
|     | C    | REVISED EC 0G3B-0401-04  | 02JUN2004 | SW  | CR   |



284517-3 AS SHOWN

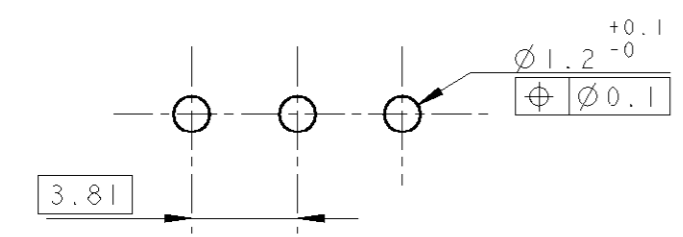
|       |       |    |            |
|-------|-------|----|------------|
| 97.54 | 96.26 | 25 | 2-284517-5 |
| 93.73 | 92.45 | 24 | 2-284517-4 |
| 89.92 | 88.64 | 23 | 2-284517-3 |
| 86.11 | 84.83 | 22 | 2-284517-2 |
| 82.30 | 81.02 | 21 | 2-284517-1 |
| 78.49 | 77.21 | 20 | 2-284517-0 |
| 74.68 | 73.40 | 19 | 1-284517-9 |
| 70.87 | 69.59 | 18 | 1-284517-8 |
| 67.06 | 65.78 | 17 | 1-284517-7 |
| 63.25 | 61.97 | 16 | 1-284517-6 |
| 59.44 | 58.16 | 15 | 1-284517-5 |
| 55.63 | 54.35 | 14 | 1-284517-4 |
| 51.82 | 50.54 | 13 | 1-284517-3 |
| 48.01 | 46.73 | 12 | 1-284517-2 |
| 44.20 | 42.92 | 11 | 1-284517-1 |
| 40.39 | 39.11 | 10 | 1-284517-0 |
| 36.58 | 35.30 | 9  | 284517-9   |
| 32.77 | 31.49 | 8  | 284517-8   |
| 28.96 | 27.68 | 7  | 284517-7   |
| 25.15 | 23.87 | 6  | 284517-6   |
| 21.34 | 20.06 | 5  | 284517-5   |
| 17.53 | 16.25 | 4  | 284517-4   |
| 13.72 | 12.44 | 3  | 284517-3   |
| 9.91  | 8.63  | 2  | 284517-2   |



POLARIZATION KEY SLOT

- 1 MATERIALS AND FINISH  
HOUSING : PA 6.6, UL 94-V0, COLOR GREEN  
TERMINAL : PHOSPHOR BRONZE, TIN PLATED
- 2 SUITABLE FOR 1.6-2.4 mm. PC BOARD THICKNESS
- 3 NOT CUMULATIVE TOLERANCE

| B | A | NO OF POS | PART NUMBER |
|---|---|-----------|-------------|
|---|---|-----------|-------------|



RECOMMENDED PC BOARD LAYOUT

THIS DRAWING IS A CONTROLLED DOCUMENT FOR TYCO ELECTRONICS CORPORATION  
 IT IS SUBJECT TO CHANGE AND THE CONTROLLING ENGINEERING ORGANIZATION  
 SHOULD BE CONTACTED FOR THE LATEST REVISION.

|                   |  |  |  |
|-------------------|--|--|--|
| DIMENSIONS:<br>mm | TOLERANCES UNLESS OTHERWISE SPECIFIED:<br>0 PLC ±-<br>1 PLC ±.3<br>2 PLC ±.25<br>3 PLC ±-<br>4 PLC ±-<br>ANGLES ±2 | DWN 06FEB2002<br>E. ZANOLINI<br>CHK 06FEB2002<br>E. ZANOLINI<br>APVD 06FEB2002<br>D. BIEVENOUR | <b>BUCHANAN</b> Tyco Electronics<br>Harrisburg, PA 17105-3608                    |
| MATERIAL          | FINISH   | PRODUCT SPEC<br>108-20166<br>APPLICATION SPEC<br>114-20079<br>WEIGHT -                         | NAME<br>TERMINAL BLOCK, HEADER ASSEMBLY<br>STRAIGHT, CLOSED ENDS<br>3.81mm PITCH |
|                   |  | CUSTOMER DRAWING   | SIZE A3 CAGE CODE 00779 DRAWING NO C-284517 RESTRICTED TO -                      |
|                   |  | SCALE 4:1  | SHEET 1 OF 1 REV C   |