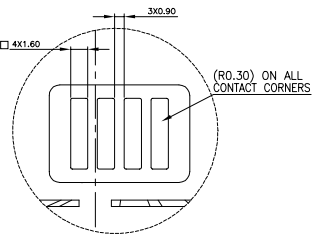
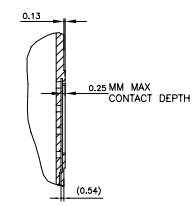
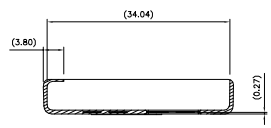


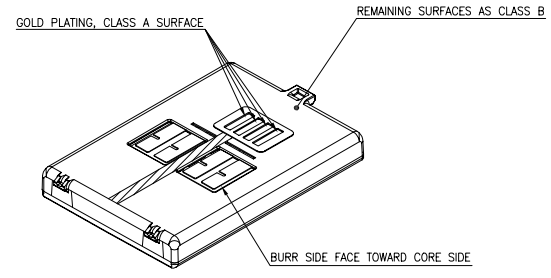
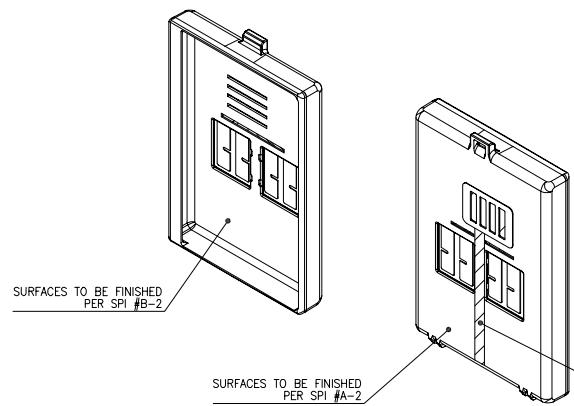
NOTE:
 1. PLASTIC:
 1-1 MATERIAL: GE PC ML6339(R)
 1-2 COLOR: NOTE 3
 1-3 GATE REMNANT HEIGHT SHALL NOT EXCEED 0.05MM.
 1-4 DATE CODE MARKING SHALL BE ON INTERCHANGEABLE CORE PIN AND INDICATE MONTH AND YEAR OF PART FABRICATION. TO RUN CLOCKWISE WITH JANUARY AT ONE O'CLOCK, AND LAST DIGIT OF YEAR TO BE CENTERED AS SHOWN:
 EXAMPLE: JANUARY, 2001.
 2. TERMINAL:
 2-1 MATERIAL: NICKEL 200
 2-2 PLATING: SELECTIVE OVERPLATE: 15-30µIN GOLD. AS INDICATED
 3. Cavity No :From 09~20

SUYIN P/N	P/N	COLOR	CONTACT P/N	GOLD PLATING THICKNESS
250004FA004G4012A	1588381G01	BLACK(701)	3988413G01	15~30 u"
250004FA004G4011A	1588381G02	GREEN(GN9A013)	3988413G01	15~30 u"



Detail X(4:1)

Detail Y(2:1)



X-BAR-R PROCESS CONTROL CHARTS MAINTAINED FOR EACH SHIPMENT

CRITICAL DIMENSIONS THAT AFFECT FORM, FIT OR FUNCTION

TOLERANCES UNLESS OTHERWISE SPECIFIED

ONE PLACE DECIMAL	.X	± 0.200
TWO PLACE DECIMAL	.XX	± 0.130
HOLE DIA. VARIATION	.XX	± 0.080
ANGULAR DIMENSION (DEG)		± 3.000°

2	Terminal	Nickel 200		
1	Housing	NOTE 3	NOTE	UL-94V-0
NO. DESCRIPTION/MATERIAL/COLOR/REMARK				

SUYIN
CONNECTOR

CUSTOMER COPY	TITLE: BATTERY COVER
PART NO.	250004FA004G401XA
PART NO. (OLD)	
DRAWING NO. (DING)	250004FA004G401XA
SCALE	1:1
UNIT	mm
	A3

ECN (DCN) NO.	REV	DATE	DESCRIPTION	CHANGE	APPRO.	GENERAL TOLERANCE UNLESS OTHERWISE NOTED
						Angle ±2°
						30 ~ ±0.50
						10 ~ 30 ±0.30
						~ 10 ±0.15
A		08/29/02'	A-1:修改公差表			
O			NEW			

DRAW	周孫宇	08/20/02'
DESIGN	周孫宇	08/20/02'
CHECK	宋權哲	08/20/02'
APPRO.	宋權哲	08/20/02'