

**CXA-0326 (5W DUAL OUTPUTS WITH DIMMING FUNCTION)**

**DESCRIPTION :**

This low profile DC to AC Inverter is developed for dual lamps, low power LCD back-light. Application includes industrial PC and LCD monitor.

Applicable LCD; NL6448BC26-01 (NEC 8.4 inch double lamp type)

- Lamp Voltage 410Vrms
- Lamp Current 5mArms
- Lamp Start Up Voltage 1200Vrms

**FEATURES :**

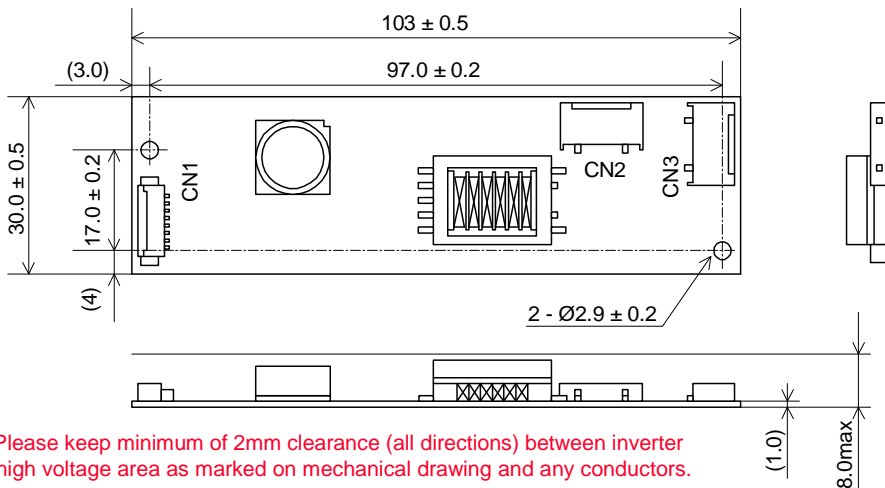
- Wide operating temperature range
- Alarm signal function
- PWM dimming type.
- Silicon Coating in High Voltage area



**TEMPERATURE & HUMIDITY :**

- Operating Temperature Range -10 °C ~ +70 °C
- Storage Temperature Range -30 °C ~ +85 °C
- Humidity 95 %RH max

**DIMENSIONS :**



Unit : mm  
Weight :25 (g) typ.

**Note 1 : Please keep minimum of 2mm clearance (all directions) between inverter high voltage area as marked on mechanical drawing and any conductors.**

No.	Part Description	Qty.	Note
1	PWB	1	UL94V-0 t=1.0mm
2	Connector CN1	1	53261-0890 (Molex)
3	Connector CN2 , CN3	2	SM02(8.0)B-BHS-1 (JST)

CN1 : 53261-0890 (Molex)

Pin	Symbol	Note
CN1-1	Vin	9 ~ 19V
CN1-2		
CN1-3	GND	0 V
CN1-4		
CN1-5	Vrmt	0 ~ 0.4V : OFF 2.5V ~ Vin : ON
CN1-6	Vbr	0 ~ 2.5V
CN1-7	GND	0V
CN1-8	Vst <sup>*1</sup>	0V / 5V

CN2 : SM02(8.0)B-BHS-1 (JST)

Pin	Symbol	Note
CN2-1	Vhigh1	410 Vrms (5mArms)
CN2-2	N.C.	-
CN2-3	Vlow1	0V

CN3 : SM02(8.0)B-BHS-1 (JST)

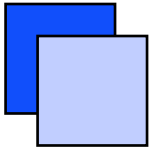
Pin	Symbol	Note
CN3-1	Vhigh2	410 Vrms (5mArms)
CN3-2	N.C.	-
CN3-3	Vlow 2	0V

**\*1. This is an output pin and it is active high (+5V) if any Lamp opens / fails**

**Power Systems – The Power Solution**

Web: [www.Power-Systems.de](http://www.Power-Systems.de)  
Email: [Info@Power-Systems.de](mailto:Info@Power-Systems.de)

Address: Dörnet 8 ; 74360 Ilsfeld-Auenstein / Germany  
Tel. : + 49 / 70 62 / 67 59 - 6  
Fax: + 49 / 70 62 / 67 59 - 80

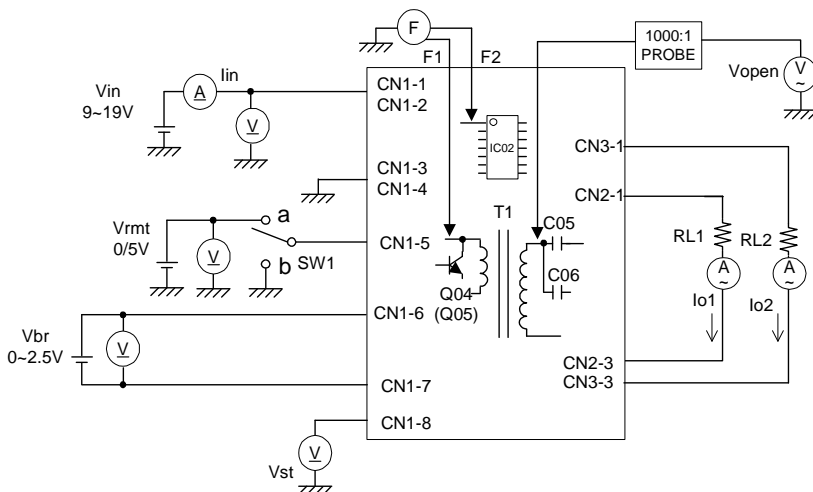


**CXA-0326 (5W DUAL OUTPUTS WITH DIMMING FUNCTION)**

**ELECTRICAL CHARACTERISTICS :**

Parameters	Symbol	Conditions				Specifications			Unit	Note	
		V <sub>in</sub> (V)	V <sub>rmt</sub> (V)	V <sub>br</sub> (V)	T <sub>a</sub> (°C)	min.	typ.	max.			
Output Current	I <sub>out1</sub> / I <sub>out2</sub>	12	5	0	23 ± 5	68 68	5.0	5.5	6.0	mArms	Max Brightness.
		12	5	2.5	23 ± 5	68 68	2.0	2.5	3.0	mArms	Min Brightness.
Input Current 1	I <sub>in1</sub>	9.0 to 19.0	5	0	23 ± 5	68 68	-	-	0.75	Adc	
Input Current 2	I <sub>in2</sub>	12	0	0	23 ± 5	68 68	-	-	2	mAdc	
Frequency	F1	12	5	0	23 ± 5	68 68	50	55	60	kHz	
Frequency (Duty)	F2	12	5	2.5	23 ± 5	68 68	320	350	380	Hz	
Open Voltage	V <sub>open</sub>	9.0	5	0	23 ± 5	∞ ∞	1100	1300	1500	Vrms	
Alarm Signal *1	V <sub>st</sub>	9.0 to 19.0	5	ANY	23 ± 5	68 ∞	4.5	5.0	5.5	Vdc	RL2 open
		9.0 to 19.0	5	ANY	23 ± 5	∞ 68	4.5	5.0	5.5	Vdc	RL1 open
		9.0 to 19.0	5	ANY	23 ± 5	68 68	-	0	0.5	Vdc	Normal

**TEST CIRCUIT :**



SW1	Operation of unit
a	Operation
b	Non operation
Open	Non operation

**Power Systems – The Power Solution**

Web: [www.Power-Systems.de](http://www.Power-Systems.de)  
 Email: [Info@Power-Systems.de](mailto:Info@Power-Systems.de)

Address: Dörnet 8 ; 74360 Ilsfeld-Auenstein / Germany  
 Tel. : + 49 / 70 62 / 67 59 - 6  
 Fax: + 49 / 70 62 / 67 59 - 80