

MAFL-008290-CD0AC0



CATV Duplex Filter
5 - 1002 / 1125 - 1550 MHz

M/A-COM Products
Released - Rev. V3

Features

- 75 Ohm
- SMT unit
- RoHS Compliant

Description

- M/A-COM's MAFL-008290-CD0AC0 is a surface mount duplex filter unit designed for MoCA applications.

Product Image



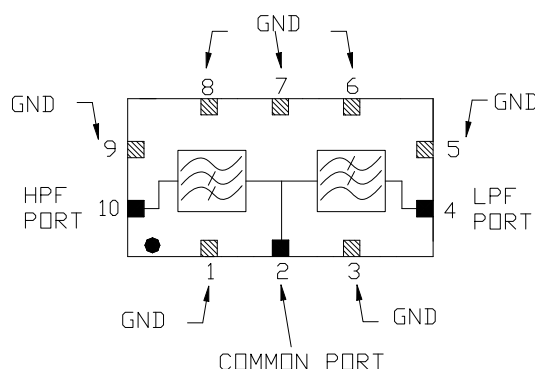
Ordering Information

Part Number	Package
MAFL-008290-CD0AC0	200 Piece Reel

Pin Configuration

Function	Pin Number
Common Port	2
Low Pass Port	4
High Pass Port	10
Ground	1, 3, 5 - 9
Not connected	-

Functional Schematic



Electrical Specifications: $T_A = 25^\circ\text{C}$, $Z_0 = 75\Omega$

Parameter	Units	Min	Typ	Max
Common to Low				
Insertion Loss				
5 - 42 MHz	dB	-	0.05	0.25
42 - 860 MHz	dB	-	0.6	1.0
860 - 1002 MHz	dB	-	1.4	1.5
Rejection				
1130 - 1550 MHz	dB	37	40	-
Common to High				
Insertion Loss				
1125 - 1550 MHz	dB	-	1.7	2.0
Rejection				
5 - 1002 MHz	dB	37	40	-
2250 - 2500 MHz	dB	30	33	-
2500 - 3000 MHz	dB	20	22	-
Common Port Return Loss				
5 - 650 MHz	dB	12	15	-
650 - 1002 MHz	dB	12	13	-
1125 - 1500 MHz	dB	13.5	14	-
1500 - 1550 MHz	dB	12	13	-
Common port voltage transient	V	-	-	200

Absolute Maximum Ratings

Parameter	Absolute Maximum
Storage Temperature	-40°C to +85°C
Operating Temperature	-40°C to +85°C
DC Current	30mA
RF Power	250mW

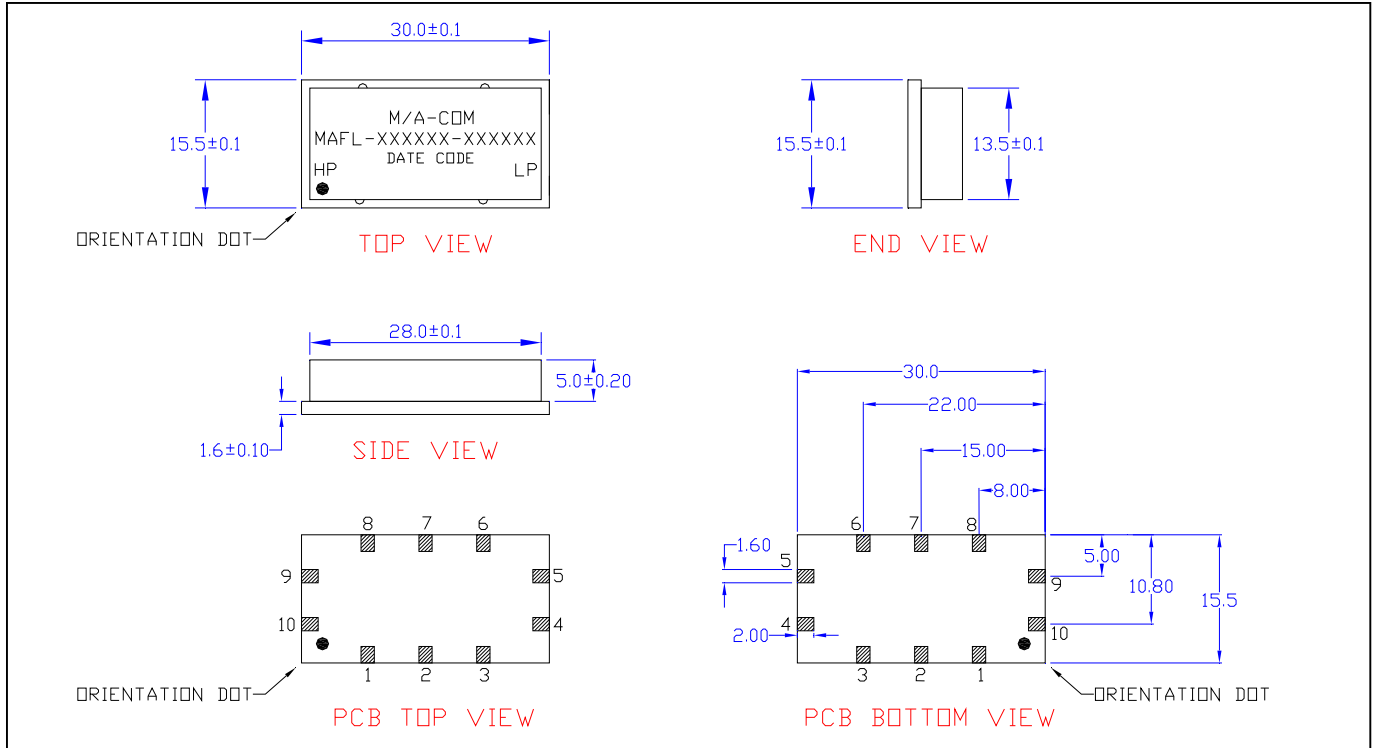
ADVANCED: Data Sheets contain information regarding a product M/A-COM Technology Solutions is considering for development. Performance is based on target specifications, simulated results, and/or prototype measurements. Commitment to develop is not guaranteed.

PRELIMINARY: Data Sheets contain information regarding a product M/A-COM Technology Solutions has under development. Performance is based on engineering tests. Specifications are typical. Mechanical outline has been fixed. Engineering samples and/or test data may be available. Commitment to produce in volume is not guaranteed.

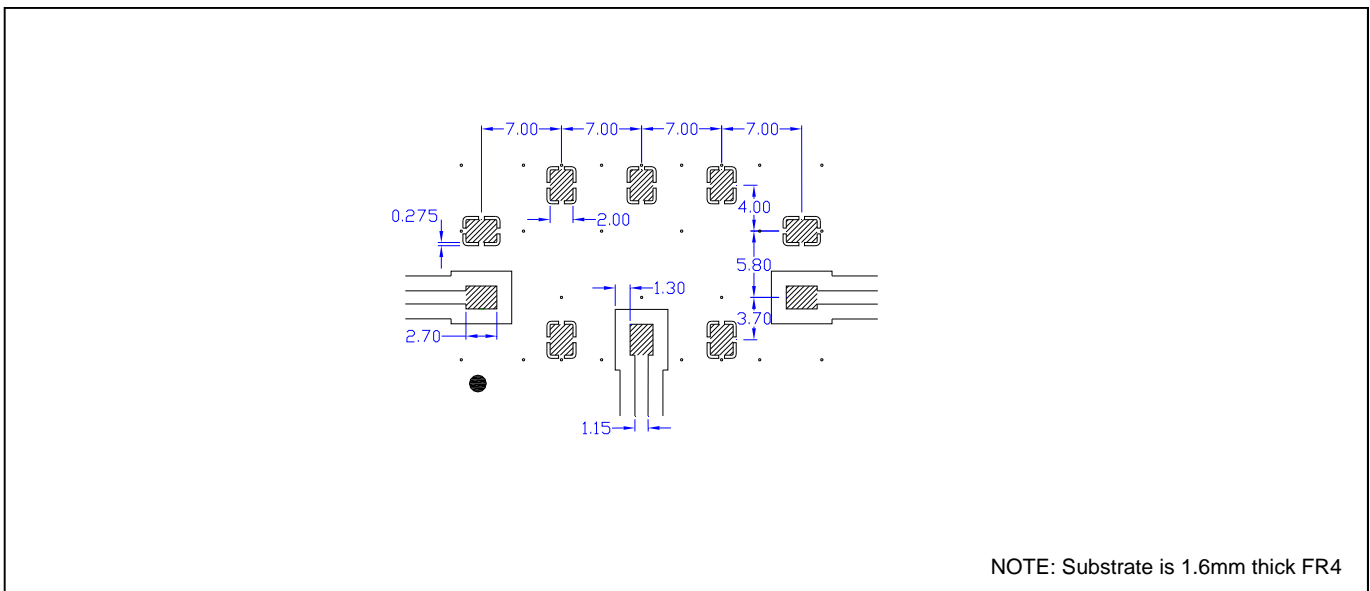
• **North America** Tel: 800.366.2266 • **Europe** Tel: +353.21.244.6400
 • **India** Tel: +91.80.4155721 • **China** Tel: +86.21.2407.1588
 Visit www.macomtech.com for additional data sheets and product information.

M/A-COM Technology Solutions Inc. and its affiliates reserve the right to make changes to the product(s) or information contained herein without notice.

Outline Drawing: SM-172



Recommended PCB Configuration



Dimensions in mm. Tolerance: $.x \pm 0.1$, $.xx \pm 0.05$ unless otherwise noted

2

ADVANCED: Data Sheets contain information regarding a product M/A-COM Technology Solutions is considering for development. Performance is based on target specifications, simulated results, and/or prototype measurements. Commitment to develop is not guaranteed.
PRELIMINARY: Data Sheets contain information regarding a product M/A-COM Technology Solutions has under development. Performance is based on engineering tests. Specifications are typical. Mechanical outline has been fixed. Engineering samples and/or test data may be available. Commitment to produce in volume is not guaranteed.

• **North America** Tel: 800.366.2266 • **Europe** Tel: +353.21.244.6400
 • **India** Tel: +91.80.4155721 • **China** Tel: +86.21.2407.1588
 Visit www.macomtech.com for additional data sheets and product information.

M/A-COM Technology Solutions Inc. and its affiliates reserve the right to make changes to the product(s) or information contained herein without notice.

Typical Performance Curves at +25°C

