

# FIBER MANAGEMENT

## OFFM

### Optical Fiber Flat Manifold



Miniflex Technology manufactured by Richco - Patented	
<b>Material: Glass-filled PBT UL94 V0; Color: Charcoal Gray</b>	
<b>Standard Pack: 10 per bag</b>	
Part No.	Supplied With
OFFM-4-1	Manifold and 4 PTFE tubes, 1 meter long each
OFFM-6-1	Manifold and 6 PTFE tubes, 1 meter long each
OFFM-8-1	Manifold and 8 PTFE tubes, 1 meter long each
OFFM-8-2	Manifold and 8 PTFE tubes, 2 meters long each
OFFM-1-12	Bag of 10 manifolds and 1 PTFE coil 120 meters long

### Features

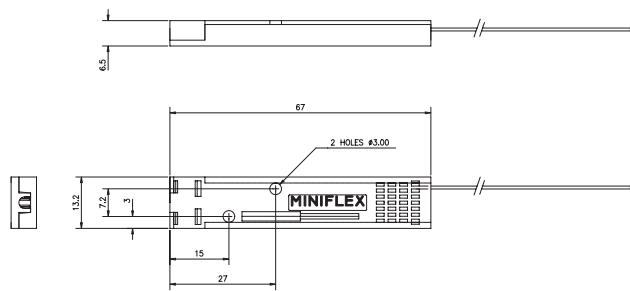
- Maximum of 12 fibers
- Ability to stack
- Fiber threading guide system in lid
- Can be terminated to OFBLT protective tubing (see page 202) or standard cable element tubing.
- Silicone sleeve is provided to give added grip to cope with variations in element tube diameters
- A range of flanged termination crimp kits (OFTK Series) are available to give a strong, mechanical anchorage for common size element/blown fiber tubing and OFBLT, contact your local Richco office for further information

### Description

The Optical Fiber Flat Manifold has the ability to breakout and protect primary fiber from cable element tubing, ribbon fiber or a blown fiber unit. The input fiber tube is secured by a clamping system molded into the product. Each output fiber is protected in a 900 µm PTFE tube, also secured by a molded detail. Threading the fiber is achieved by the effective guide provided in the snap-on lid. Assembly of the manifold is made easy by a simple “lay-through” design, which prevents fiber kinking or breakage.

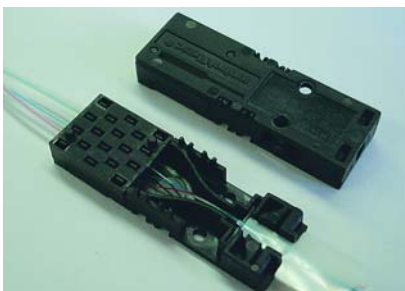
Installing fiber is easy, clean, neat and extremely compact while still controlling all bend radii. Mounts with the self-adhesive pad provided or by the integral screw holes, which give the ability to stack.

<b>Material: PTFE UL94 V0; Color: Natural</b>
<b>Standard Pack: 120 meter coil per bag</b>
PTFE-1-120-NAT
<b>Other colors are available by special order.</b>



## OFFM-MK2

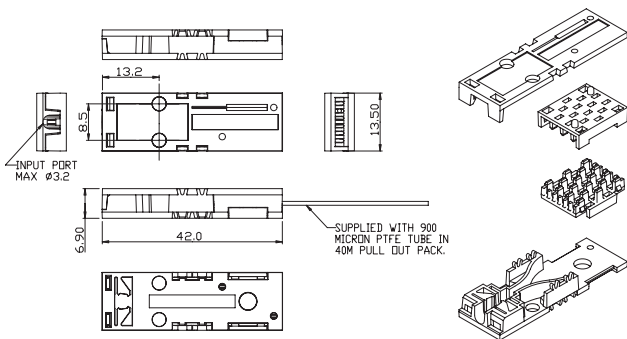
### Optical Fiber Flat Manifold



- A range of flanged termination crimp kits (OFTK Series) are available to give a strong, mechanical anchorage for common size element/blown fiber tubing and OFBLT, contact your local Richco office for details
- Enables pre-assembly of PTFE tubes in complete pack, and alternative method of fiber feed/assembly
- Supplied with adhesive ribbon fiber adapter to accept ribbon fiber
- Molded detail that secures 900 micron PTFE tubing is separate from body and cover for ease of handling

### Features

- Maximum of 12 fibers
- Ability to stack
- Fiber threading guide system in lid
- Can be terminated to OFBLT protective tubing (see page 202) or standard cable element tubing.
- Silicone sleeve is provided to give added grip to cope with variations in element tube diameters



Miniflex Technology manufactured by Richco	
<b>Material: 6% Glass Reinforced PBT UL94V0; Color: Charcoal Gray</b>	
<b>Standard Pack: 10 per bag</b>	
Part Number	Supplied With
OFFM-MK2-10-40 Gray	900 Micron PTFE tube in 40M pull out pack
<b>All dimensions in millimeters</b>	

<b>Material: PTFE UL94 V0; Color: Natural</b>
<b>Standard Pack: 120 meter coil per bag</b>
PTFE-1-120-NAT
<b>Other colors are available by special order.</b>