

Specifications

Insulation Resistance:	1,000MΩ min. at 500V DC
Withstanding Voltage:	500V AC rms for 1 minute
Contact Resistance:	100mΩ at 1mA / 20mV max.
Voltage Rating:	50Vrms AC
Current Rating:	0.5A
Operating Temp. Range:	-25°C to +85°C
Mating Cycles:	10,000 (office environment)

Materials and Finish

Insulator:	LCP (black)
Shielding Plate:	SUS
Contacts:	Base PB, Plating Ni-Au



Part Number (Details)

PJS 008 - 2300 - 0

Series No.

Number of Contacts

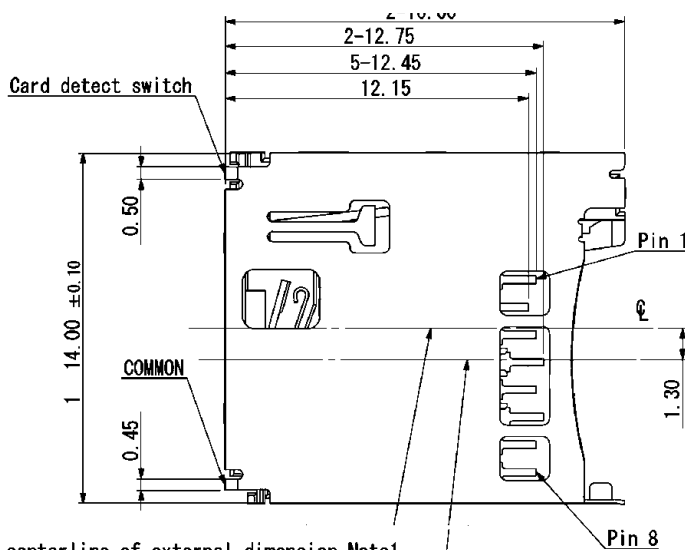
Design No.

0 = without Positioning Pins

Features

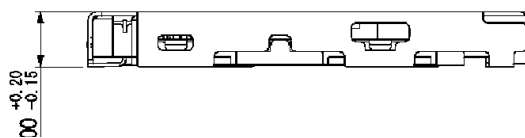
- Low profile of 2.0mm
- Top Mount
- Card detector and lock mechanism
- Smooth extraction function by Push-in / Push-out of card
- Special card brake (independent from card thickness)
- Tape & Reel packaging 1,500 pcs per reel

Outline Dimensions for PJS008-2300-0

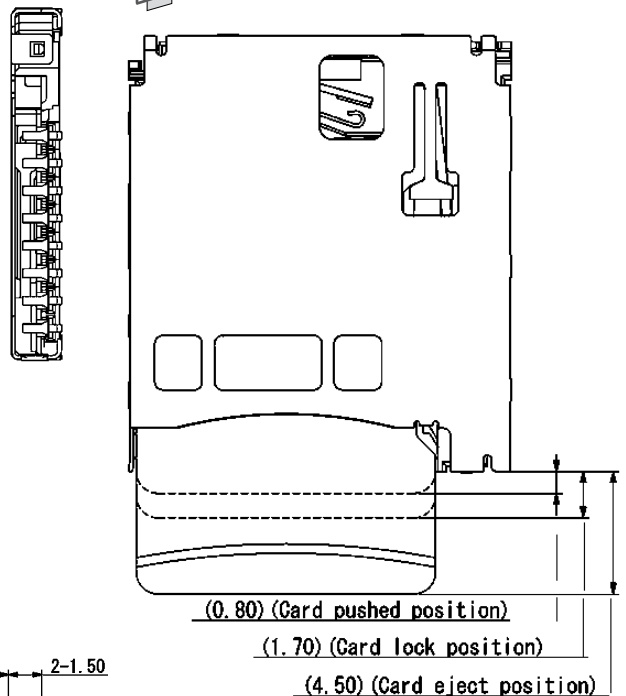


The centerline of external dimension Note1.

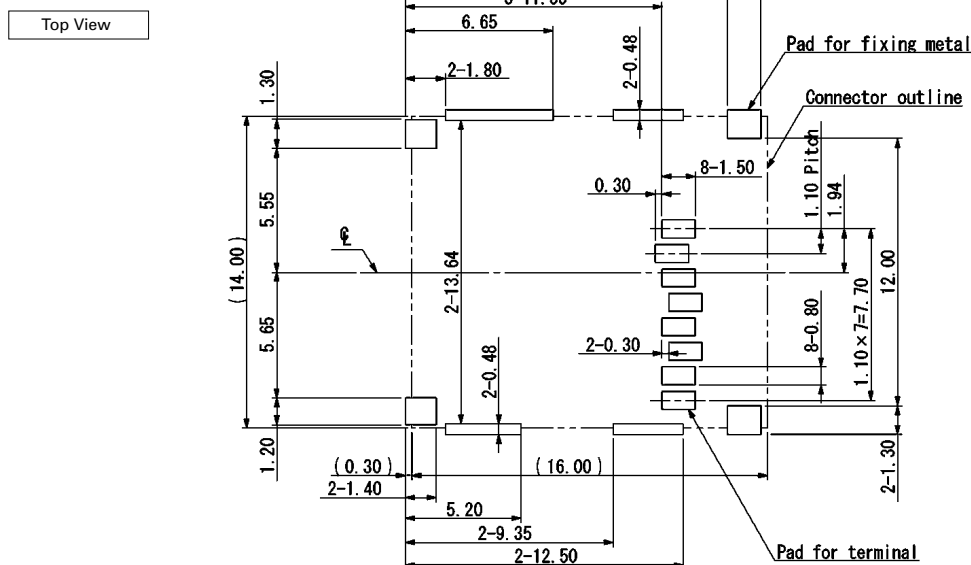
Centerline of width of card insertion dimension



Card Insertion Details



Recommended PCB Layout



Prohibited Area