



actual size

actual size

Quartz Crystal • JXE42

Surface Mount Quartz Crystal

Features

■ bluetooth applications

■ ceramic/ceramic package

General Data

type	JXE42
frequency range	13.0 ~ 50.0 MHz (fund. AT-cut)
frequency tolerance at 25 °C	±20 ppm ~ ±30 ppm
load capacitance C_L	12 pF ~ 16 pF
shunt capacitance C_0	< 7 pF
storage temperature	-40 °C ~ +90 °C
drive level max.	100 µW
aging	< ±5 ppm first year

ESR (series resistance Rs)

frequency in MHz	vibration mode	ESR max. in Ω	ESR typ. in Ω
13.0 ~ 15.999	fund.- AT	80	40
16.0 ~ 50.000	fund.- AT	60	30

Frequency Stability vs. Temperature

		± 30 ppm	± 50 ppm			
-20 °C ~ +70 °C	STD.	○	○			
-40 °C ~ +85 °C	T1		○			

● standard
 ○ on request

Marking

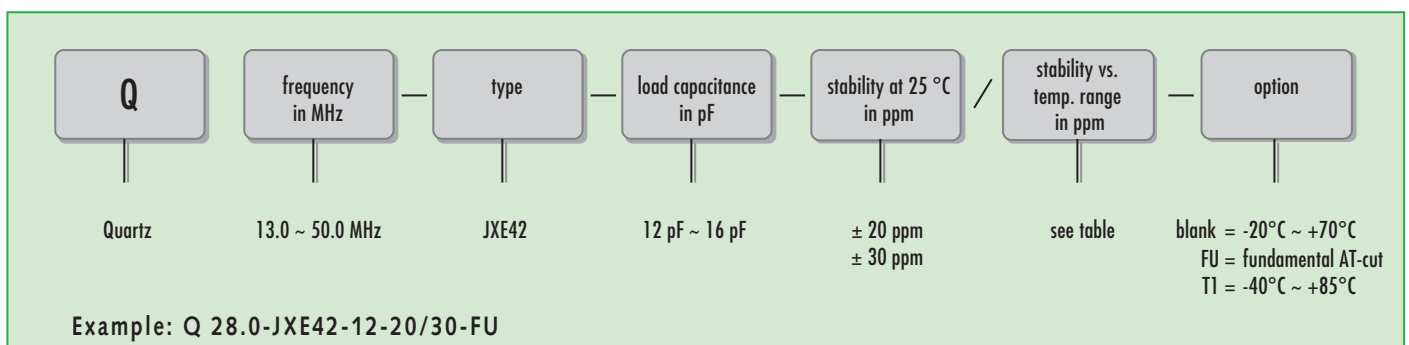
frequency with load capacitance code
 company code / date code / internal code

date code: year/month
 example: 4A = 2004 January

Jan.	Febr.	Mar.	Apr.	May	June
A	B	C	D	E	F

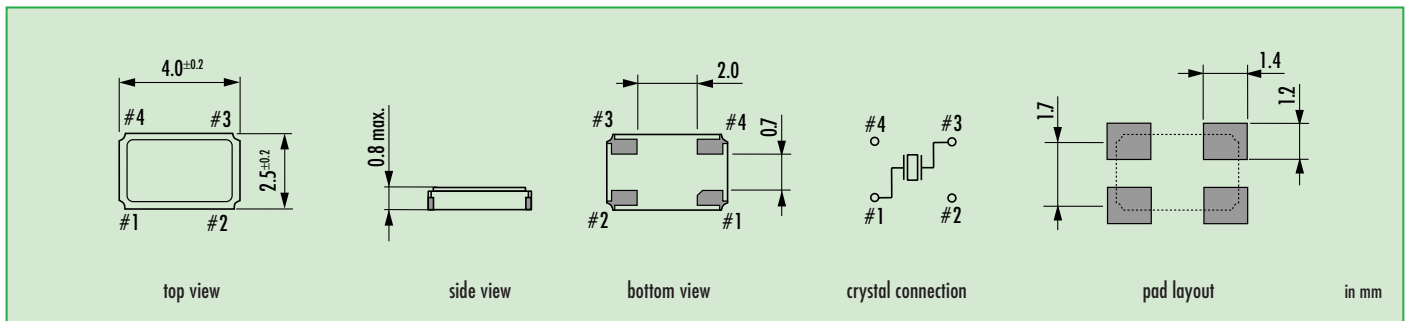
July	Aug.	Sept.	Oct.	Nov.	Dec.
G	H	J	K	L	M

Order Information

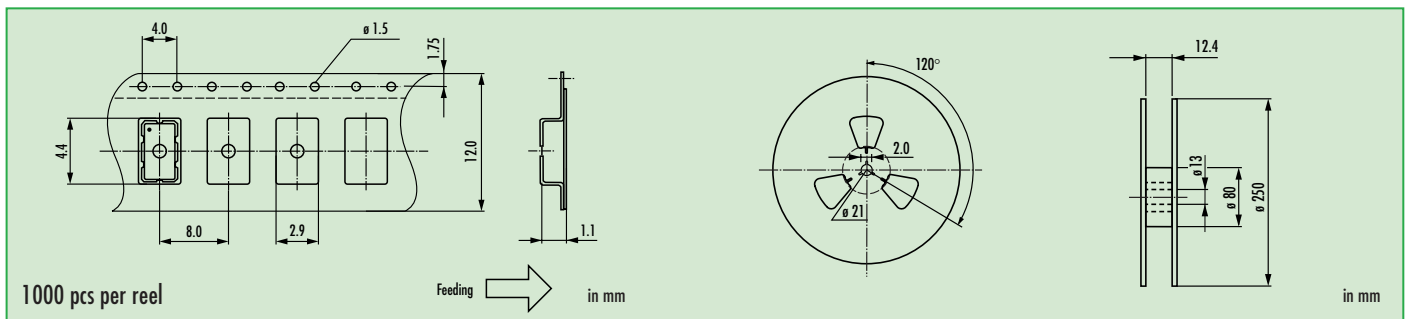


Quartz Crystal • JXE42

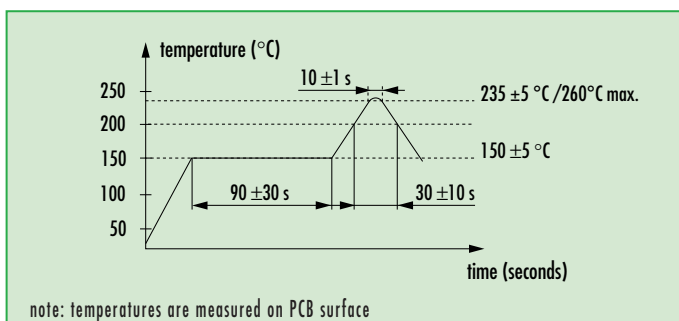
Dimensions



Taping Specification



Reflow Soldering Profile



Load Capacitance Codes

7 pF: m	13 pF: v	20 pF: c	32 pF: e
8 pF: k	14 pF: x	22 pF: g	series: s
9 pF: n	15 pF: j	24 pF: d	T: 3rd OT
10 pF: h	16 pF: b	25 pF: r	
11 pF: l	17 pF: t	27 pF: w	
12 pF: a	18 pF: f	30 pF: .	

example 13.0 MHz / 12 pF: 13a00