

DATA SHEET

TX17/9.7/6.4
Alloy powder toroids

New data

2008 Sep 01

Alloy powder toroids

TX17/9.7/6.4

RING CORES (TOROIDS)

Effective core parameters

SYMBOL	PARAMETER	VALUE	UNIT
$\Sigma(l/A)$	core factor (C1)	1.78	mm ⁻¹
V_e	effective volume	960	mm ³
l_e	effective length	41.4	mm
A_e	effective area	23.2	mm ²
m	mass of core (for μ_i 125)	MPP	8.16 g
		Sendust	5.90 g
		High-Flux	7.70 g

Coating

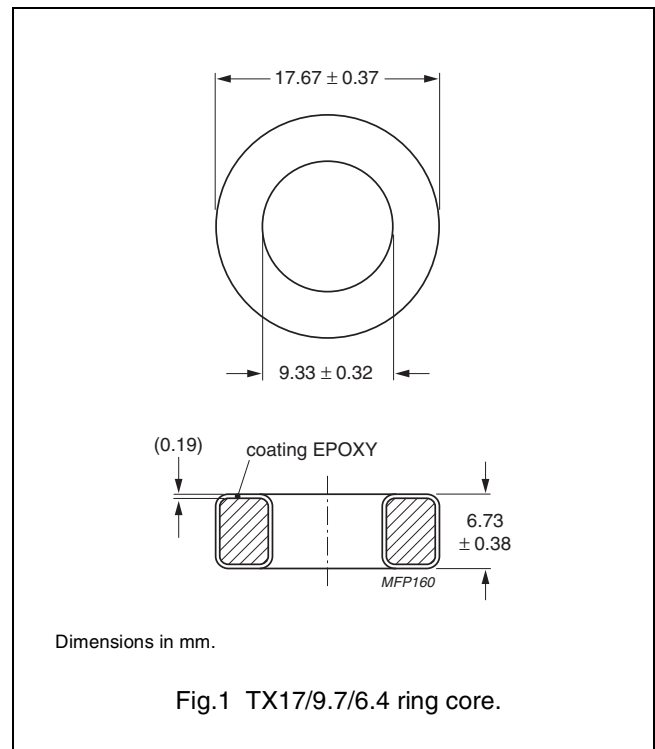
The cores are coated with epoxy. The colour is cream (Sendust), grey (MPP) or khaki (High-Flux). Maximum operating temperature is 200 °C.

Isolation voltage

AC isolation voltage : 1000 V.
Contacts are applied on the edge of the ring core, which is also the critical point for the winding operation.

Ring core data

GRADE	A_L (nH)	μ_i	B (mT) at	CORE LOSS (W) at	TYPE NUMBER
			H = 100 kA/m; f = 10 kHz; T = 25 °C	f = 100 kHz; B = 100 mT; T = 25 °C	
MPP	10 ± 8 %	14	≥ 640	1.44	TX17/6.4-M2-A10
	19 ± 8 %	26	≥ 700	1.15	TX17/6.4-M2-A19
	43 ± 8 %	60	≥ 760	0.720	TX17/6.4-M2-A43
	89 ± 8 %	125	≥ 800	0.720	TX17/6.4-M2-A89
	105 ± 8 %	147	≥ 800	0.768	TX17/6.4-M2-A105
	114 ± 8 %	160	≥ 800	0.768	TX17/6.4-M2-A114
	123 ± 8 %	173	≥ 800	0.768	TX17/6.4-M2-A123
	142 ± 8 %	200	≥ 800	1.44	TX17/6.4-M2-A142
Sendust	214 ± 8 %	300	≥ 800	1.44	TX17/6.4-M2-A214
	43 ± 8 %	60	≥ 1030	0.821	TX17/6.4-S7-A43
	53 ± 8 %	75	≥ 1040	0.821	TX17/6.4-S7-A53
	64 ± 8 %	90	≥ 1050	0.821	TX17/6.4-S7-A64
High-Flux	89 ± 8 %	125	≥ 1060	0.821	TX17/6.4-S7-A89
	10 ± 8 %	14	≥ 890	2.40	TX17/6.4-H2-A10
	19 ± 8 %	26	≥ 980	1.92	TX17/6.4-H2-A19
	43 ± 8 %	60	≥ 1280	1.73	TX17/6.4-H2-A43
	89 ± 8 %	125	≥ 1370	1.92	TX17/6.4-H2-A89
	105 ± 8 %	147	≥ 1385	2.11	TX17/6.4-H2-A105
	114 ± 8 %	160	≥ 1400	3.36	TX17/6.4-H2-A114



DATA SHEET STATUS DEFINITIONS

DATA SHEET STATUS	PRODUCT STATUS	DEFINITIONS
Preliminary specification	Development	This data sheet contains preliminary data. Ferroxcube reserves the right to make changes at any time without notice in order to improve design and supply the best possible product.
Product specification	Production	This data sheet contains final specifications. Ferroxcube reserves the right to make changes at any time without notice in order to improve design and supply the best possible product.

DISCLAIMER

Life support applications — These products are not designed for use in life support appliances, devices, or systems where malfunction of these products can reasonably be expected to result in personal injury. Ferroxcube customers using or selling these products for use in such applications do so at their own risk and agree to fully indemnify Ferroxcube for any damages resulting from such application.

PRODUCT STATUS DEFINITIONS

STATUS	INDICATION	DEFINITION
Prototype		These are products that have been made as development samples for the purposes of technical evaluation only. The data for these types is provisional and is subject to change.
Design-in		These products are recommended for new designs.
Preferred		These products are recommended for use in current designs and are available via our sales channels.
Support		These products are not recommended for new designs and may not be available through all of our sales channels. Customers are advised to check for availability.