

DATA SHEET

TX57/26/15
Alloy powder toroids

New data

2008 Sep 01

RING CORES (TOROIDS)

Effective core parameters

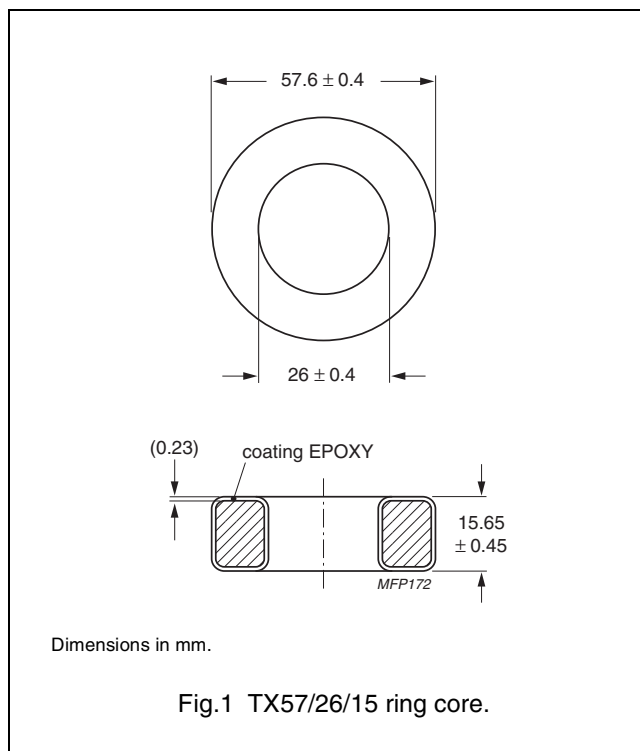
SYMBOL	PARAMETER	VALUE	UNIT	
$\Sigma(l/A)$	core factor (C1)	0.546	mm ⁻¹	
V_e	effective volume	28600	mm ³	
l_e	effective length	125	mm	
A_e	effective area	229	mm ²	
m	mass of core (for μ_i 125)	MPP	240	g
		Sendust	176	g
		High-Flux	226	g

Coating

The cores are coated with epoxy. The colour is black (Sendust), grey (MPP) or khaki (High-Flux). Maximum operating temperature is 200 °C.

Isolation voltage

AC isolation voltage : 1000 V.
Contacts are applied on the edge of the ring core, which is also the critical point for the winding operation.



Ring core data - Note 1. Mechanical dimensions : OD ≤ 58, ID ≥ 25.6, H ≤ 16.1

GRADE	A_L (nH)	μ_i	B (mT) at	CORE LOSS (W) at	TYPE NUMBER
			H = 100 kA/m; f = 10 kHz; T = 25 °C	f = 100 kHz; B = 100 mT; T = 25 °C	
MPP	32 ± 8 %	14	≥ 640	42.9	TX57/15-M2-A32
	60 ± 8 %	26	≥ 700	34.3	TX57/15-M2-A60
	138 ± 8 %	60	≥ 760	21.5	TX57/15-M2-A138
	287 ± 8 %	125	≥ 800	21.5	TX57/15-M2-A287
	306 ± 8 %	147	≥ 800	22.9	TX57/15-M2-A306
	333 ± 8 %	160	≥ 800	22.9	TX57/15-M2-A333
	360 ± 8 %	173	≥ 800	22.9	TX57/15-M2-A360
	417 ± 8 %	200	≥ 800	42.9	TX57/15-M2-A417
Sendust ⁽¹⁾	60 ± 8 %	26	≥ 1000	45.8	TX57/15-S7-A60-MC
	138 ± 8 %	60	≥ 1030	24.5	TX57/15-S7-A138-MC
	172 ± 8 %	75	≥ 1040	24.5	TX57/15-S7-A172-MC
	207 ± 8 %	90	≥ 1050	24.5	TX57/15-S7-A207-MC
	287 ± 8 %	125	≥ 1060	24.5	TX57/15-S7-A287-MC
High-Flux	32 ± 8 %	14	≥ 890	71.5	TX57/15-H2-A32
	60 ± 8 %	26	≥ 980	57.2	TX57/15-H2-A60
	138 ± 8 %	60	≥ 1280	51.5	TX57/15-H2-A138
	287 ± 8 %	125	≥ 1370	57.2	TX57/15-H2-A287




DATA SHEET STATUS DEFINITIONS

DATA SHEET STATUS	PRODUCT STATUS	DEFINITIONS
Preliminary specification	Development	This data sheet contains preliminary data. Ferroxcube reserves the right to make changes at any time without notice in order to improve design and supply the best possible product.
Product specification	Production	This data sheet contains final specifications. Ferroxcube reserves the right to make changes at any time without notice in order to improve design and supply the best possible product.

DISCLAIMER

Life support applications — These products are not designed for use in life support appliances, devices, or systems where malfunction of these products can reasonably be expected to result in personal injury. Ferroxcube customers using or selling these products for use in such applications do so at their own risk and agree to fully indemnify Ferroxcube for any damages resulting from such application.

PRODUCT STATUS DEFINITIONS

STATUS	INDICATION	DEFINITION
Prototype		These are products that have been made as development samples for the purposes of technical evaluation only. The data for these types is provisional and is subject to change.
Design-in		These products are recommended for new designs.
Preferred		These products are recommended for use in current designs and are available via our sales channels.
Support		These products are not recommended for new designs and may not be available through all of our sales channels. Customers are advised to check for availability.