

Series 2

Inert isolation solenoid valves

FEATURES

- 2-way diaphragm valves
- All PTFE wetted parts
- High cycle life
- Uses low power
- Low internal volume
- Requires no pressure to operate



MEDIA COMPATIBILITY

Liquids and gases

WETTED MATERIALS

Materials contacting media:

PTFE

Body:

PTFE

ELECTRICAL

Power 2.5, 4.2 W

Voltage 12, 24 V_{DC}

Current/Resistance ($\Omega \pm 5\%$ @ 21 °C)

12 V_{DC} 211 mA/57 Ω

24 V_{DC} 173 mA/139 Ω

PHYSICAL PROPERTIES

Operating environment 4 to 66 °C

Weight (e.g. 3-way, 1/8" NPT body) 71 g

Porting 1/4"-28 threaded ports

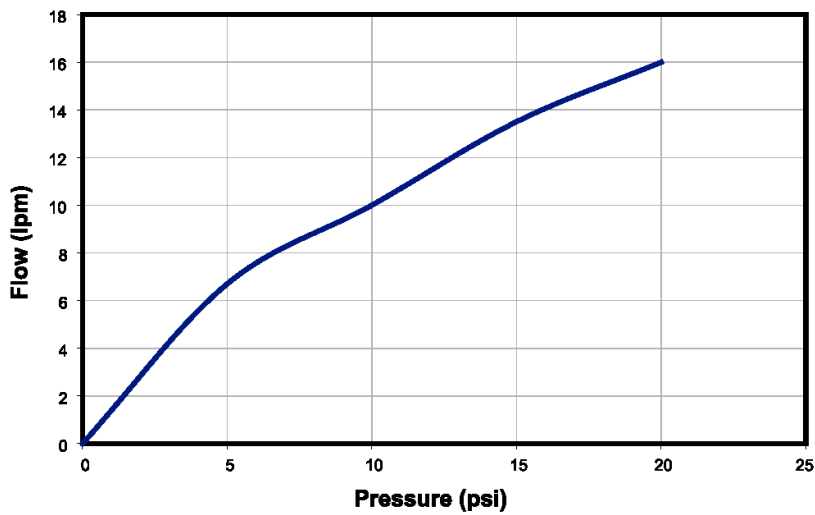
Internal volume 49 μ l

PERFORMANCE CHARACTERISTICS

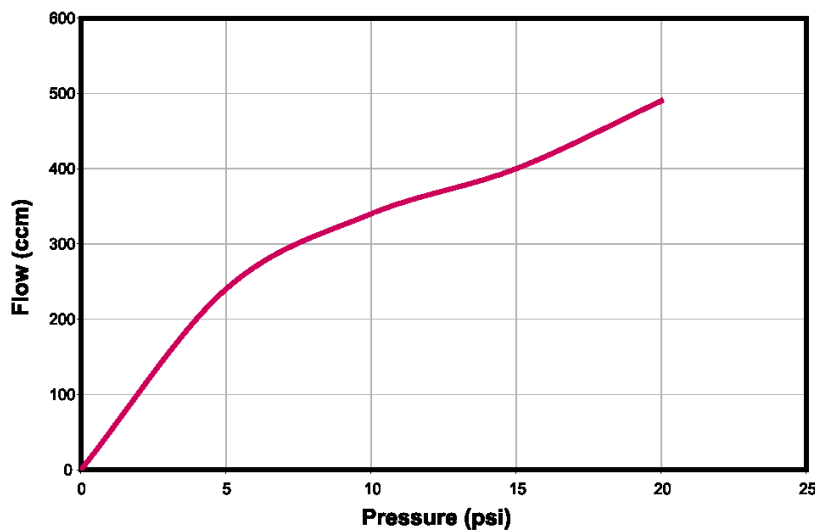
Part no.	Pressure	Orifice sizes	Leak rate	Response
See Ordering Information	Vacuum...1.4 bar (20 psi)	0.060" (1.52 mm)	Bubble tight	20 ms

FLOW CURVES

Air flow, 0.060" orifice



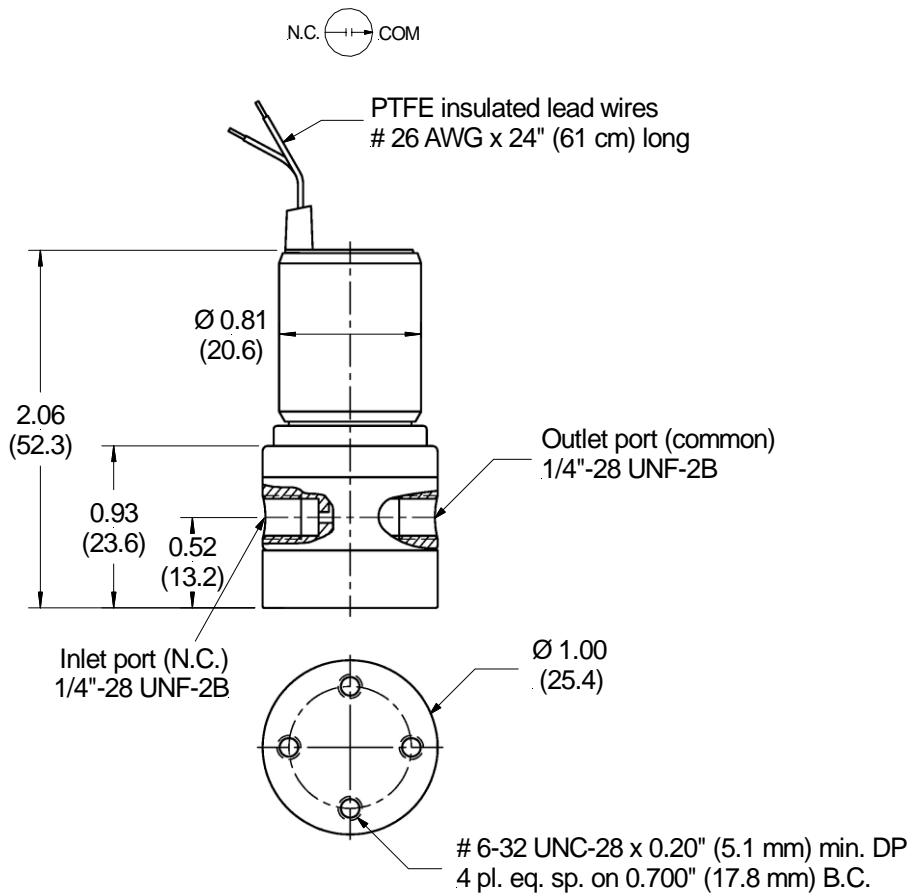
Water flow, 0.060" orifice



Series 2

Inert isolation solenoid valves

OUTLINE DRAWING



dimensions in inches (mm)

ORDERING INFORMATION

Part No.	Type	Operating Pressure	Orifice	Voltage	Porting
002-0017-900	2-way NC	Vac...1.4 bar (20 psi)	1.52 mm (0.060")	12 V _{DC}	1/4"-28
002-0010-900				24 V _{DC}	

Sensortech reserves the right to make changes to any products herein. Sensortech does not assume any liability arising out of the application or use of any product or circuit described herein, neither does it convey any license under its patent rights nor the rights of others.