

400Hz Fans

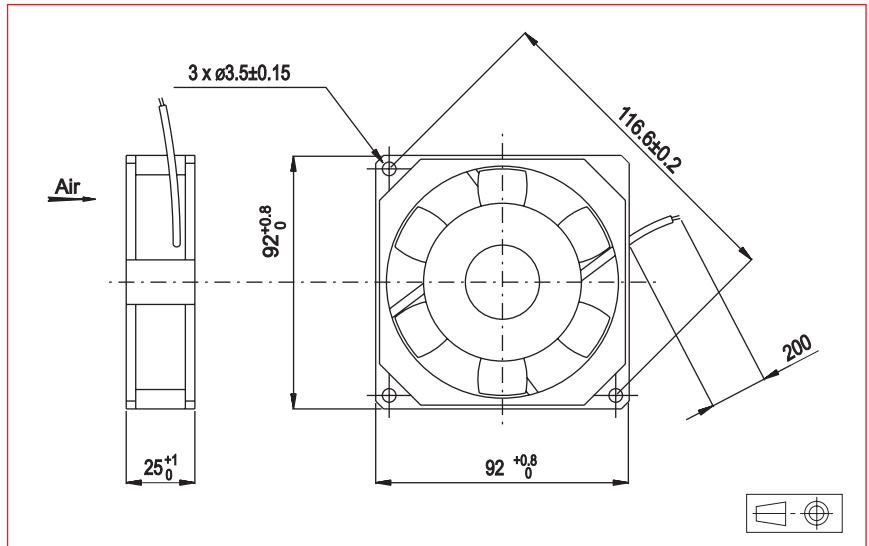


Approvals

NATO codification

Life expectancy

L-10 LIFE AT 40°C:
35 000 hours

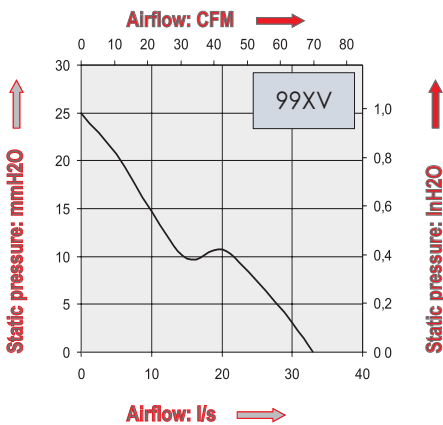


400 Hz Motor

Housing material: zamak
Impeller material: plastic UL 94 VO
Weight: 390 g
Bearing system: ball bearings

Connection: flying leads

Available with:
- Speed sensor



Part Number	Nominal voltage	Airflow	Noise level	Nominal speed	Phases	Capacitor (not included)	Input power	Nominal Current	Starting Current	Operating temperature	
	V	l/s	dB(A)	RPM		µF	W	mA	mA	Min.°C	Max.°C
99XV0162001	115	33	55	5500	3		14	130	280	-10	70
	115	33	55	5500	1	0,47	14	145	225	-10	70
99XV0160001	200	33	55	5500	3		14	75	160	-10	70
	200	33	55	5500	1	0,15	14	85	130	-10	70

Additional versions:
Salt spray protected - Shock and vibration protected - Marine specifications
Wide temperature range

Accessories:
Refer to Accessories leaflet