

CTSD25F Series

From 0.47 μH to 1000 μH

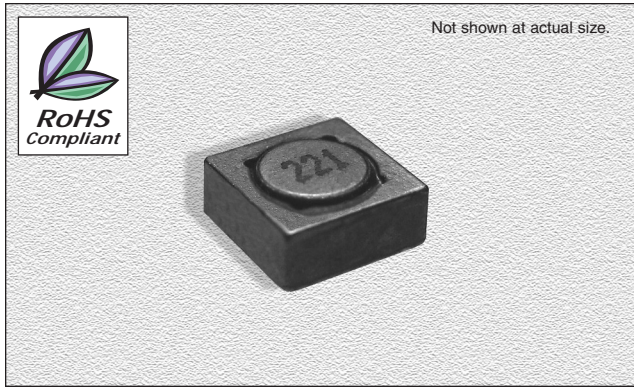
SPECIFICATIONS

Parts are available in $\pm 20\%$ tolerance only.

*I_{rms}: Average current for 40°C temp. rise from 25°C ambient.

**I_{sat}: DC current at which the inductance drops 30% typ. from its value without current.

| Part Number | Inductance ($\mu\text{H} \pm 20\%$) | L Test Freq. (KHz) | DCR Max. (Ω) | *I _{rms} Max. (A) | **I _{sat} Max. (A) |
|--------------|---------------------------------------|--------------------|-----------------------|----------------------------|-----------------------------|
| CTSD25F-R47M | 0.47 | 100 | 0.0221 | 3.88 | 6.00 |
| CTSD25F-R82M | 0.82 | 100 | 0.0260 | 3.58 | 4.67 |
| CTSD25F-1R2M | 1.20 | 100 | 0.0300 | 3.33 | 3.81 |
| CTSD25F-1R5M | 1.50 | 100 | 0.0343 | 3.12 | 3.23 |
| CTSD25F-2R2M | 2.20 | 100 | 0.0389 | 2.93 | 2.80 |
| CTSD25F-3R3M | 3.30 | 100 | 0.0480 | 2.64 | 2.21 |
| CTSD25F-4R7M | 4.70 | 100 | 0.0584 | 2.39 | 1.83 |
| CTSD25F-6R2M | 6.20 | 100 | 0.0695 | 2.19 | 1.56 |
| CTSD25F-8R2M | 8.20 | 100 | 0.0905 | 1.92 | 1.45 |
| CTSD25F-100M | 10.0 | 100 | 0.1030 | 1.80 | 1.27 |
| CTSD25F-150M | 15.0 | 100 | 0.1195 | 1.67 | 1.08 |
| CTSD25F-220M | 22.0 | 100 | 0.1848 | 1.34 | 0.857 |
| CTSD25F-330M | 33.0 | 100 | 0.2686 | 1.11 | 0.711 |
| CTSD25F-470M | 47.0 | 100 | 0.3945 | 0.919 | 0.592 |
| CTSD25F-680M | 68.0 | 100 | 0.6063 | 0.741 | 0.482 |
| CTSD25F-820M | 82.0 | 100 | 0.6553 | 0.713 | 0.441 |
| CTSD25F-101M | 100 | 100 | 0.7421 | 0.670 | 0.398 |
| CTSD25F-151M | 150 | 100 | 1.0904 | 0.553 | 0.328 |
| CTSD25F-221M | 220 | 100 | 1.6750 | 0.446 | 0.268 |
| CTSD25F-331M | 330 | 100 | 2.5875 | 0.359 | 0.129 |
| CTSD25F-471M | 470 | 100 | 3.8750 | 0.293 | 0.184 |
| CTSD25F-681M | 680 | 100 | 4.8500 | 0.262 | 0.154 |
| CTSD25F-821M | 820 | 100 | 6.3000 | 0.230 | 0.139 |
| CTSD25F-102M | 1000 | 100 | 7.1250 | 0.216 | 0.126 |



CHARACTERISTICS

Description: SMD (shielded) power inductor

Applications: Digital cameras, CD players, cellular phones, PDAs, PCMCIA cards, GPS systems, etc.

Operating Temperature: -40°C to +85°C

Inductance Tolerance: $\pm 20\%$

Testing: Tested on a HP4285A at 100 KHz

Packaging: Tape & Reel

Marking: Parts are marked with inductance code

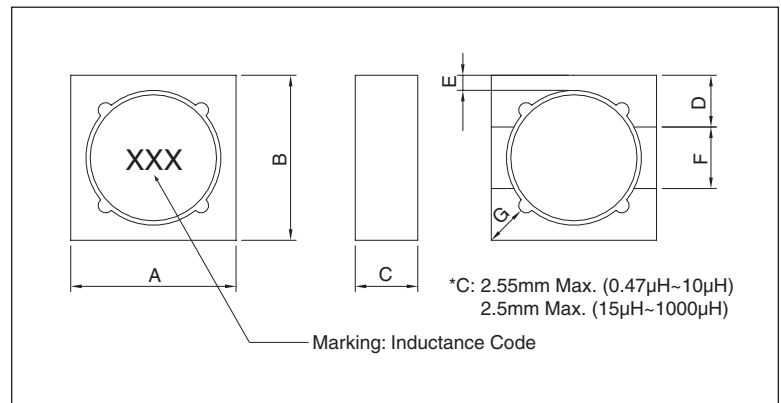
Miscellaneous: RoHS Compliant.

Additional Information: Additional electrical & physical information available upon request

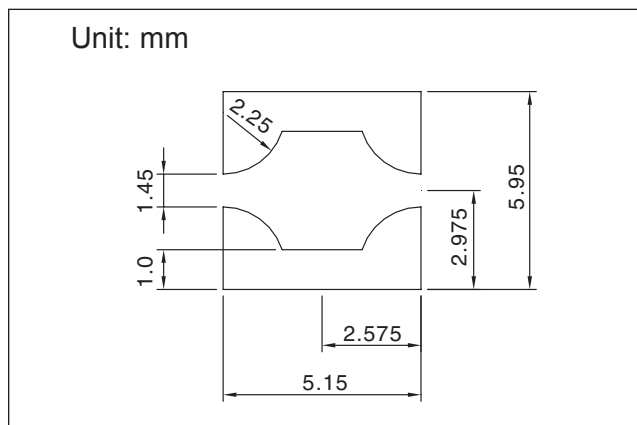
Samples available. See website for ordering information.

PHYSICAL DIMENSIONS

| Size | A Max. | B Max. | C Max. | D Typ. | E Ref. | F Ref. | G Ref. |
|--------|--------|--------|--------|--------|--------|--------|--------|
| mm | 5.2 | 5.2 | See | 1.5 | 0.6 | 1.8 | 1.2 |
| inches | 0.205 | 0.205 | Below | 0.059 | 0.024 | 0.071 | 0.047 |



PAD LAYOUT



07.17.08