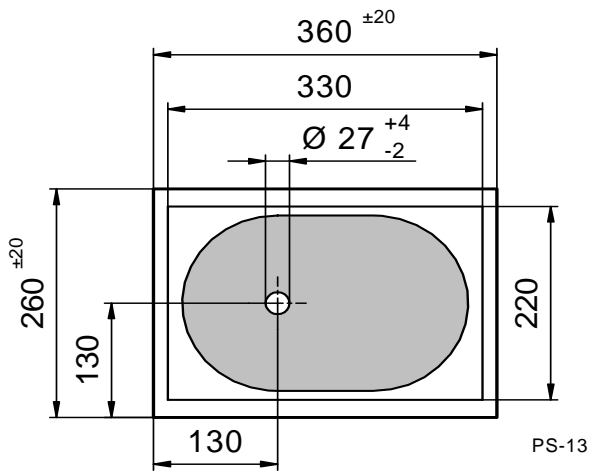


Radiation	Type	Technology	Electrodes
Red	Point Source	AllnGaP/GaAs	N (cathode) up

	typ. dimensions (μm)
	<u>typ. thickness</u> 170 (±20) μm  <u>cathode</u> gold alloy, 1.5 μm  <u>anode</u> gold alloy, 0.5 μm

### Maximum Ratings

T<sub>amb</sub> = 25°C, unless otherwise specified

Parameter	Test conditions	Symbol	Min	Typ	Max	Unit
Forward current (DC)		I <sub>F</sub>			15	mA

### Optical and Electrical Characteristics

T<sub>amb</sub> = 25°C, unless otherwise specified

Parameter	Test conditions	Symbol	Min	Typ	Max	Unit
Forward voltage	I <sub>F</sub> = 5 mA	V <sub>F</sub>		2.3	2.6	V
Reverse voltage	I <sub>R</sub> = 10 μA	V <sub>R</sub>	5			V
Radiant power*	I <sub>F</sub> = 5 mA	Φ <sub>e</sub>	30	40		μW
Luminous intensity*	I <sub>F</sub> = 5 mA	I <sub>v</sub>	1.2	1.6		mcd
Peak wavelength	I <sub>F</sub> = 5 mA	λ <sub>p</sub>	620	630	635	nm
Spectral bandwidth at 50%	I <sub>F</sub> = 5 mA	Δλ <sub>0.5</sub>		25		nm
Switching time	I <sub>F</sub> = 5 mA	t <sub>r</sub> , t <sub>f</sub>		40/30		ns

\*Measured on bare chip on TO-18 header with *EPIGAP* equipment

### Labeling

Type	Lot N°	I <sub>v</sub> (typ) [mcd]	V <sub>F</sub> (typ) [V]	Quantity
ELC-630-29-12				

**Packing:** Chips on adhesive film with wire-bond side on top

We reserve the right to make changes to improve technical design and may do so without further notice.  
Parameters can vary in different applications. All operating parameters must be validated for each customer application by the customer.