

Features:

- Low Optical Insertion Loss
- Cost-effective CWDM technology
- Adds/drops one Wavelength
- SC or LC connectors interfacing
- Reliable passive WDM optical technology
- Scales easily for ring networks
- Low-profile modular design
- Compliance with RoHS

CWDM OADM-1 Optibox Module



The Finisar OADM-1 optibox module is a passive optical add/drop multiplexer designed for metro access applications that represents the state of the art in fiber optics design. The OADM-1 optibox module adds/drops two CWDM channels of the same wavelength from network traffic and passes the other channels. Finisar's unique CWDM design maps the two added/dropped channels into separate two-fiber paths, going in opposite directions into the network (East/West).

Added/dropped channels are interfaced to any of Finisar's CWDM transceivers on the equipment side. A grid of eight CWDM wavelengths is available from Finisar.

The Finisar OADM-1 optibox module delivers dramatic cost savings to network equipment manufacturers, enabling them to develop metro access systems that are lower in cost, easier to provision and simpler to operate.

OADM-1 Optibox Module

Specifications

Mechanical

Dimensions:

- 5.5" x 3.2" x 0.5",
139mm x 81mm x 13mm

Connectors:

- SC or LC connectors

Optical

Center Wavelengths: (8 versions):

- 1471 nm
- 1491 nm
- 1511 nm
- 1531 nm
- 1551 nm
- 1571 nm
- 1591 nm
- 1611 nm

Directivity:

≥ 55 dB

Return Loss:

≥ 45 dB

Passband Ripple:

≤ 0.5dB

PDL:

≤ 0.15dB

PMD:

≤ 0.2ps

Environmental:

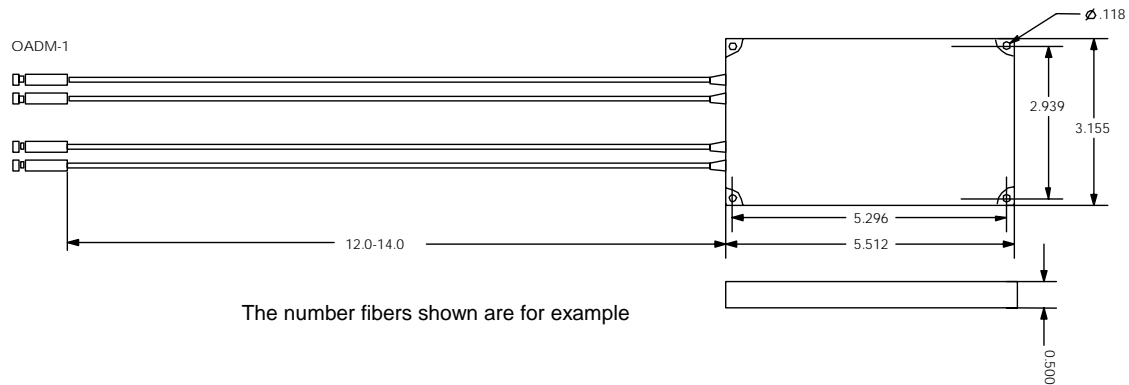
- Operating 0 to 70°C
- Relative humidity:
10 to 85%,
non-condensing
- Storage - 40 to 85°C

OADM-1 Optibox Module Parameter Specifications

Passband	Max Insertion Loss (dB)			Min Isolation (dB)		
	Add	Drop	Pass	Add	Drop	Pass
+/- 6.5nm	1.30	1.30	1.40	30	50	28

Note: Connector loss included.

Dimensions (Unit: inch)



Ordering Information

Part Number Description

OADM-1-47-xx Single Wavelength (1471 nm) Optical Add/Drop
 OADM-1-49-xx Single Wavelength (1491 nm) Optical Add/Drop
 OADM-1-51-xx Single Wavelength (1511 nm) Optical Add/Drop
 OADM-1-53-xx Single Wavelength (1531 nm) Optical Add/Drop
 OADM-1-55-xx Single Wavelength (1551 nm) Optical Add/Drop
 OADM-1-57-xx Single Wavelength (1571 nm) Optical Add/Drop
 OADM-1-59-xx Single Wavelength (1591 nm) Optical Add/Drop
 OADM-1-61-xx Single Wavelength (1611 nm) Optical Add/Drop

XX = LC - LC connectors
 SC - SC connectors