

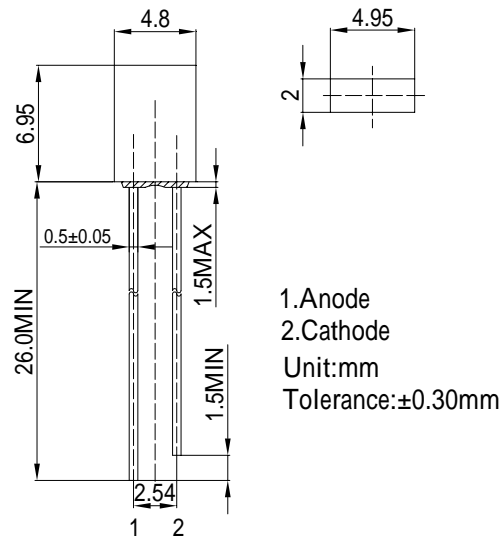
### Features

- High Luminous LEDs
- 2x5x7mm Rectangular Standard Directivity
- Superior Weather-resistance
- UV Resistant Epoxy
- Water Clear Type

### Applications

- Traffic Signal
- Backlighting
- Signal and channel letter
- Other Lighting

### Outline Dimension

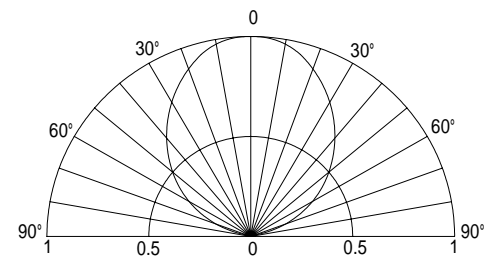


### Absolute Maximum Rating (Ta=25 °C)

| Item                       | Symbol    | Value      | Unit |
|----------------------------|-----------|------------|------|
| DC Forward Current         | $I_F$     | 50         | mA   |
| Pulse Forward Current*     | $I_{FP}$  | 120        | mA   |
| Reverse Voltage            | $V_R$     | 5          | V    |
| Power Dissipation          | $P_D$     | 120        | mW   |
| Operating Temperature      | $T_{opr}$ | -30 ~ +85  |      |
| Storage Temperature        | $T_{stg}$ | -40 ~ +100 |      |
| Lead Soldering Temperature | $T_{sol}$ | 260 / 5sec | -    |

\*Pulse width Max.10ms Duty ratio max 1/10

### Directivity



### Electrical -Optical Characteristics (Ta=25 °C)

| Item                | Symbol          | Condition  | Min. | Typ. | Max. | Unit |
|---------------------|-----------------|------------|------|------|------|------|
| DC Forward Voltage  | $V_F$           | $I_F=20mA$ | 1.8  | 2.1  | 2.4  | V    |
| DC Reverse Current  | $I_R$           | $V_R=5V$   | -    | -    | 10   | μA   |
| Domi. Wavelength*   | $\lambda_D$     | $I_F=20mA$ | 619  | 624  | 629  | nm   |
| Luminous Intensity* | $I_v$           | $I_F=20mA$ | -    | 2000 | -    | mcd  |
| 50% Power Angle     | $2\theta_{1/2}$ | $I_F=20mA$ | -    | 100  | -    | deg  |

\*1 Tolerance of dominant wavelength is ±1nm

\*2 Tolerance of luminous intensity is ±15%

### Maximum Forward Current

