

350 WATT POWER FACTOR CORRECTED SUPPLIES

DESCRIPTION

The PFC350 series comprises single and multiple output models for 350 watts of continuous output power. All models meet EN 61000-3-2. All auxiliary outputs are with magnetic amplifier to keep regulation. The units are constructed on a printed circuit board with a U-bracket for mechanical support and heat sinking. Both "B" and "C" versions are with UL, CSA and TÜV approvals.

FEATURES

- Power Factor 0.98 typical
- 90 VAC to 264 VAC universal input
- In compliance with EN 55024, EN 61000-3-2 and EN 61000-3-3
- Overvoltage and thermal protection
- Short-circuit protection
- Power Fail Detect (PFD) signal
- 100% burn-in at full rated load
- Remote sense on master output

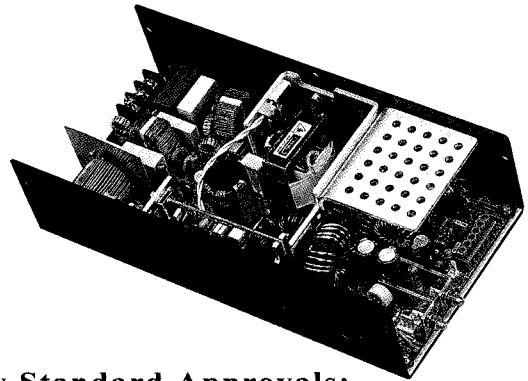
INPUT SPECIFICATIONS

Input voltage: 90 to 264 VAC
Input frequency: 47 to 63 Hz
Input current: 5.6A (rms) for 115VAC
 2.8A (rms) for 230VAC
Leakage current: 0.4mA max. @115VAC, 60Hz
 0.8mA max. @230VAC, 50Hz

OUTPUT SPECIFICATIONS

Output voltage/current : See rating chart
Total output power: 350 watts maximum
Ripple and noise : 2% peak to peak maximum
Overvoltage protection : Provided on output #1 only; set at 112 - 132 % of its nominal output voltage
Overcurrent protection: All outputs protected to short circuit conditions
Temperature coefficient: All outputs +/-0.04%/ °C maximum
Transient response : Maximum excursion of 4% or better on all models; recovering to 1% of final value within 500us after a 25% step load change
PFD signal : TTL logic high for normal operation and TTL logic low upon loss of input power. This signal appears at least 1 ms prior to +5.1V output dropping 5% below its nominal value. This signal also provides a minimum delay of 100 ms after +5.1V is within regulation.

PFC350 SERIES



Safety Standard Approvals:



UL 1950
File No. E137410



C22.2 No. 950
Certificate No. LR93632(157810)



EN 60950
Certificate No. 9955628

ENVIRONMENTAL SPECIFICATIONS

Operating temperature: 0°C to +70°C
Storage temperature: -40°C to +85°C
Relative humidity: 5% to 95% non-condensing
Derating: Derate from 100% at 50 °C linearly to 50% at 70 °C
Cooling: 38 CFM forced air, provided on "C" version, to be provided for "B" version by user

GENERAL SPECIFICATIONS

Switching frequency: 76KHz +/-8KHz
Power factor: 0.98 typical
Efficiency : 70% typical
Hold-up time : 12 msec minimum at 115VAC
Line regulation : +/-0.5% maximum at full load
Inrush current : 40 A @ 115VAC, or 80 A @ 230 VAC, at 25 °C cold start
Withstand voltage : 3000VAC from input to output
 1500VAC from input to ground
 500VAC from output to ground
MTBF : 350,000 hours minimum at full load at 25°C ambient, calculated per MIL-HDBK-217F, excluding DC fan.
EMI requirements : In compliance with EN 55022 and FCC, conducted emissions meeting Class B and radiated emissions meeting Class A
Safety requirements : Meets or exceeds:
 (a) UL 1950
 (b) CSA C22.2 No. 950
 (c) IEC 950 (EN 60950)

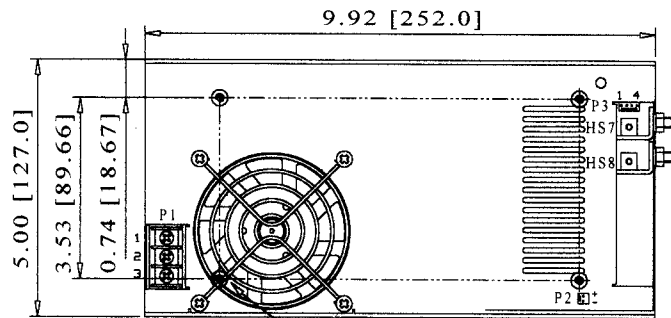
OUTPUT VOLTAGE/CURRENT RATING CHART

(1)(5) Model	Output #1				Output #2 (2)				Output #3				Output #4 (3)				Maximum Output Power (4)
	Vnom.	Imin.	I _{max.}	Tol.	Vnom.	Imin.	I _{max.}	Tol.	Vnom.	Imin.	I _{max.}	Tol.	Vnom.	Imin.	I _{max.}	Tol.	
PFC350-10	5.1V	1A	53.9A	2%	(N/A)				(N/A)				(N/A)				275W
PFC350-12	12V	0.5A	29.2A	2%	(N/A)				(N/A)				(N/A)				350W
PFC350-13	15V	0.4A	23.4A	2%	(N/A)				(N/A)				(N/A)				350W
PFC350-14	24V	0.3A	14.6A	2%	(N/A)				(N/A)				(N/A)				350W
PFC350-16	30V	0.2A	11.7A	2%	(N/A)				(N/A)				(N/A)				350W
PFC350-18	48V	0.1A	7.3A	2%	(N/A)				(N/A)				(N/A)				350W
PFC350-23	+5.1V	5A	40A	2%	+12V	0A	9A	4%	(N/A)				(N/A)				300W
PFC350-24	+5.1V	5A	40A	2%	+15V	0A	8A	4%	(N/A)				(N/A)				300W
PFC350-25	+5.1V	5A	40A	2%	+24V	0A	4.5A	4%	(N/A)				(N/A)				300W
PFC350-30	+5.1V	5A	40A	2%	+12V	0A	9A	4%	-5V	0A	6A	4%	(N/A)				300W
PFC350-31	+5.1V	5A	40A	2%	+12V	0A	9A	4%	-12V	0A	4A	4%	(N/A)				350W
PFC350-32	+5.1V	5A	40A	2%	+15V	0A	8A	4%	-15V	0A	4A	4%	(N/A)				350W
PFC350-33	+5.1V	5A	40A	2%	+15V	0A	8A	4%	-12V	0A	4A	4%	(N/A)				350W
PFC350-40	+5.1V	5A	40A	2%	+12V	0A	9A	4%	-12V	0A	4A	4%	5V	0A	6A	4%	350W
PFC350-41	+5.1V	5A	40A	2%	+15V	0A	8A	4%	-15V	0A	4A	4%	24V	0A	4A	4%	350W
PFC350-42	+5.1V	5A	40A	2%	+12V	0A	9A	4%	-12V	0A	4A	4%	12V	0A	4A	4%	350W
PFC350-44	+5.1V	5A	40A	2%	+12V	0A	9A	4%	-15V	0A	4A	4%	15V	0A	4A	4%	350W
PFC350-45	+5.1V	5A	40A	2%	+12V	0A	9A	4%	-12V	0A	4A	4%	24V	0A	4A	4%	350W

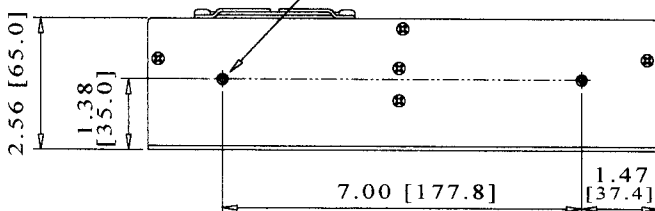
- Notes: (1) Add suffix "B" for U-bracket format or "C" for enclosed format, e.g. PFC350-45C.
 (2) The peak current of output #2 is limited to 12A on +12V, 9.6A on +15V or 6.0A on +24V.
 (3) Output #4 is floating. It can be connected externally for a positive or negative output.
 (4) Peak output current with 10% maximum duty cycle for less than 60 seconds. Total peak power must not exceed 350 watts.
 (5) All models may be operated at no-load. At no-load, output voltage tolerance increases to 10%. The output #1 of multiple output models requires 5A to support other outputs at their maximum rated loads.

MECHANICAL SPECIFICATIONS

Single Output Models



MOUNTING HOLE THREADED INSERT FOR #8-32 OR M4*0.7 SCREWS (6 PLS).

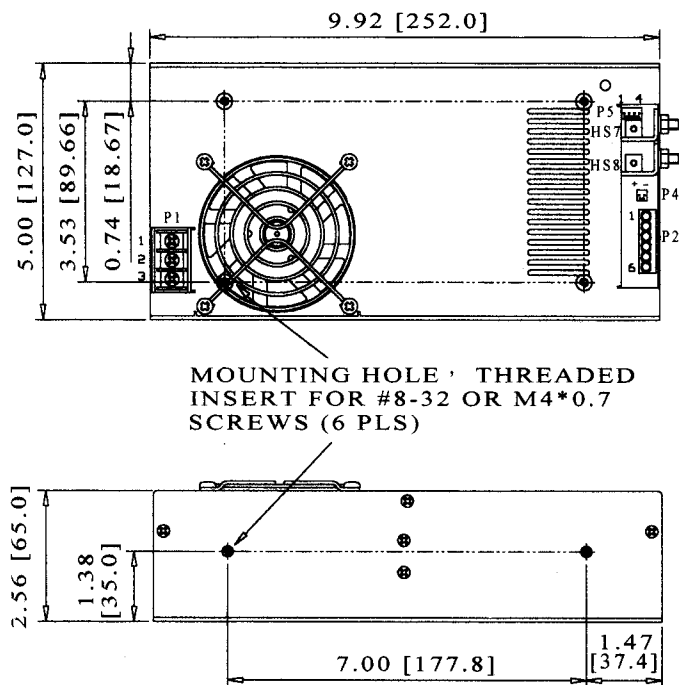


NOTES:

- Dimensions shown in inch [mm].
- Tolerance 0.02 [0.5] maximum.
- P1 input connector is Beau Inc. P/N 72-5-03C. Screws are #6-32 on 0.375 inch (9.53mm) centers.
- P2 is for DC fan rated 24V/0.12A (models PFC350-14,16) or 12V/0.22A (the other models).
- P3 Connector mates with Molex housing 22-01-1043 and Molex 40445 series crimp terminal.
- Main output studs HS7/HS8 are with M5*0.8 screws.
- Weight:
 1.40 Kgs (3.08 Lbs.) approx. for "B" version.
 1.70 Kgs (3.74 Lbs.) approx. for "C" version.

MECHANICAL SPECIFICATIONS

Multiple Output Models



NOTES:

1. Dimensions shown in inch [mm].
2. Tolerance 0.02 [0.5] maximum.
3. P1 input connector is Beau Inc. P/N 72-5-03C. Screws are #6-32 on 0.375 inch (9.53mm) centers.
4. P2 Output connector is Dinkle P/N 166-06P.
5. P4 is for DC fan rated 24V/0.12A (model PFC350-25) or 12V/0.22A (the other models).
6. P5 Connector mates with Molex housing 22-01-1043 and Molex 40445 series crimp terminal.
7. Main output studs HS7/HS8 are with M5*0.8 screws.
8. Weight:
 - 1.40 Kgs (3.08 Lbs.) approx. for "B" version.
 - 1.70 Kgs (3.74 Lbs.) approx. for "C" version.

PIN CHART

Single Output Models

MODEL	CONN PIN	P1 (AC)			P3				HS7	HS8
		1	2	3	1	2	3	4		
PFC350-10		LIVE	NEUTRAL	GROUND	+S (VO1)	-S (VO1)	PFD	COM. RET.	OUTPUT #1 RETURN	OUTPUT #1
PFC350-12 PFC350-13 PFC350-14 PFC350-16 PFC350-18		LIVE	NEUTRAL	GROUND	+S (VO1)	-S (VO1)	N.C.	COM. RET.	OUTPUT #1 RETURN	OUTPUT #1

Multiple Output Models

MODEL	CONN PIN	P1 (AC)			P2 (DC Output)					P5				HS7	HS8
		1	2	3	1	2,3	4	5	6	1	2	3	4		
PFC350-23 PFC350-24 PFC350-25		LIVE	NEUTRAL	GROUND	OUTPUT #2	COM. RET.	N.C.	N.C.	N.C.	+S (VO1)	-S (VO1)	PFD	COM. RET.	OUTPUT #1	OUTPUT #1 RETURN
PFC350-30 PFC350-31 PFC350-32 PFC350-33		LIVE	NEUTRAL	GROUND	OUTPUT #2	COM. RET.	OUTPUT #3	N.C.	N.C.	+S (VO1)	-S (VO1)	PFD	COM. RET.		
PFC350-40 PFC350-41 PFC350-42 PFC350-44 PFC350-45		LIVE	NEUTRAL	GROUND	OUTPUT #2	COM. RET.	OUTPUT #3	OUTPUT #4	OUTPUT #4 RETURN	+S (VO1)	-S (VO1)	PFD	COM. RET.		

Note: "OUTPUT #1 RETURN" is connected to "COM. RET" (common return), but "OUTPUT #4 RETURN" is isolated.