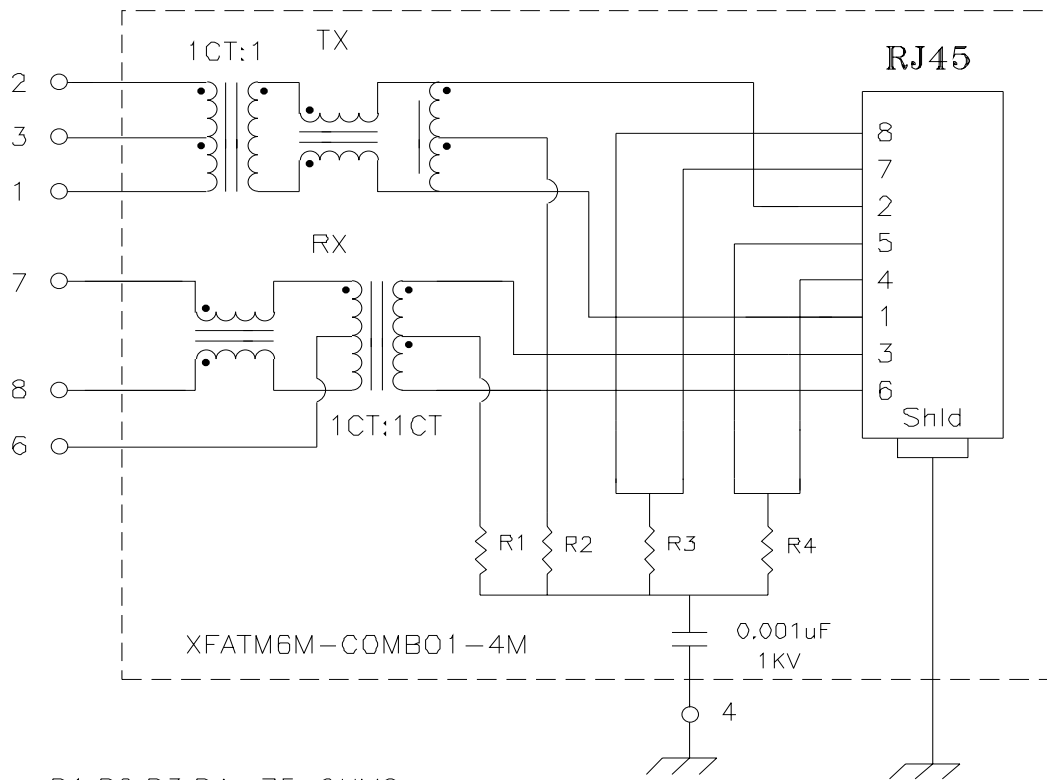


Schematic:



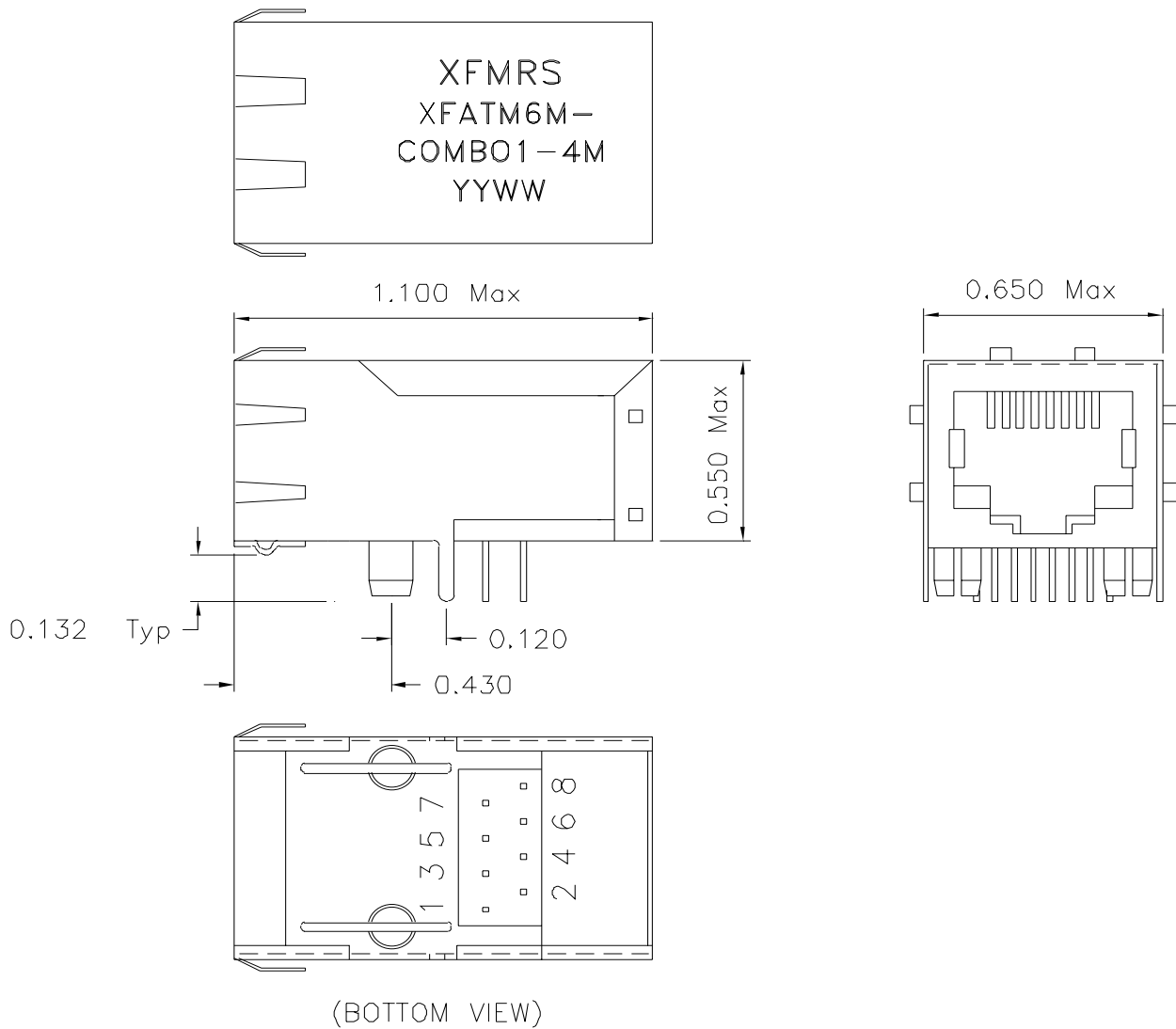
R1,R2,R3,R4: 75 OHMS

Electrical Specifications: @25°C

Isolation Voltage: 1500 Vrms (INPUT to OUTPUT)
 Isolation Voltage: 500 Vrms (6+7+8 to 1+2+3)
 TURNS RATIO: TX 1CT:1 ±5% RX 1CT:1CT ±5%
 OCL: 350uH Minimum @100KHz 100mV 8mADC
 Insertion Loss (300KHz-100MHz): -1.0dB Typical
 Return Loss: 30MHz -16dB Typical
 60MHz -12dB Typical
 80MHz -10dB Typical
 CROSSTALK: 32MHz -40dB Minimum
 62MHz -35dB Minimum
 100MHz -35dB Minimum

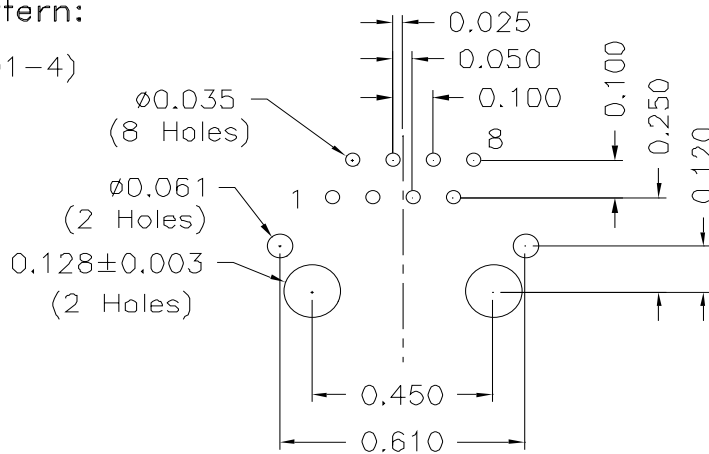
XFMRs Inc. UNLESS OTHERWISE SPECIFIED TOLERANCES: .xxx ±0.010 Dimensions in Inch SHEET 1 OF 2	Title: SINGLE PORT COMBO		
	P/N: XFATM6M-COMBO1-4M		REV. A
	DWN.	廖玉坤	Jul-10-00
	CHK.	李清儿	Jul-10-00
	APP.	Joe Huff	Jul-10-00

Mechanical Dimensions:



Mounting Pattern:

(FOR COMBO1-4)
(COMP SIDE)



DOC. REV: A/1

XFMRS Inc.	Title: Mechanical Dimensions For COMBO1-4M Series		
UNLESS OTHERWISE SPECIFIED TOLERANCES: .xxx ±0.010 Dimensions in Inch	P/N: XFATM6M-COMBO1-4M		REV. A
	DWN.	李清儿	Jul-10-00
SHEET 2 OF 2	CHK.	孙悦	Jul-10-00
	APP.	Joe Huff	Jul-10-00