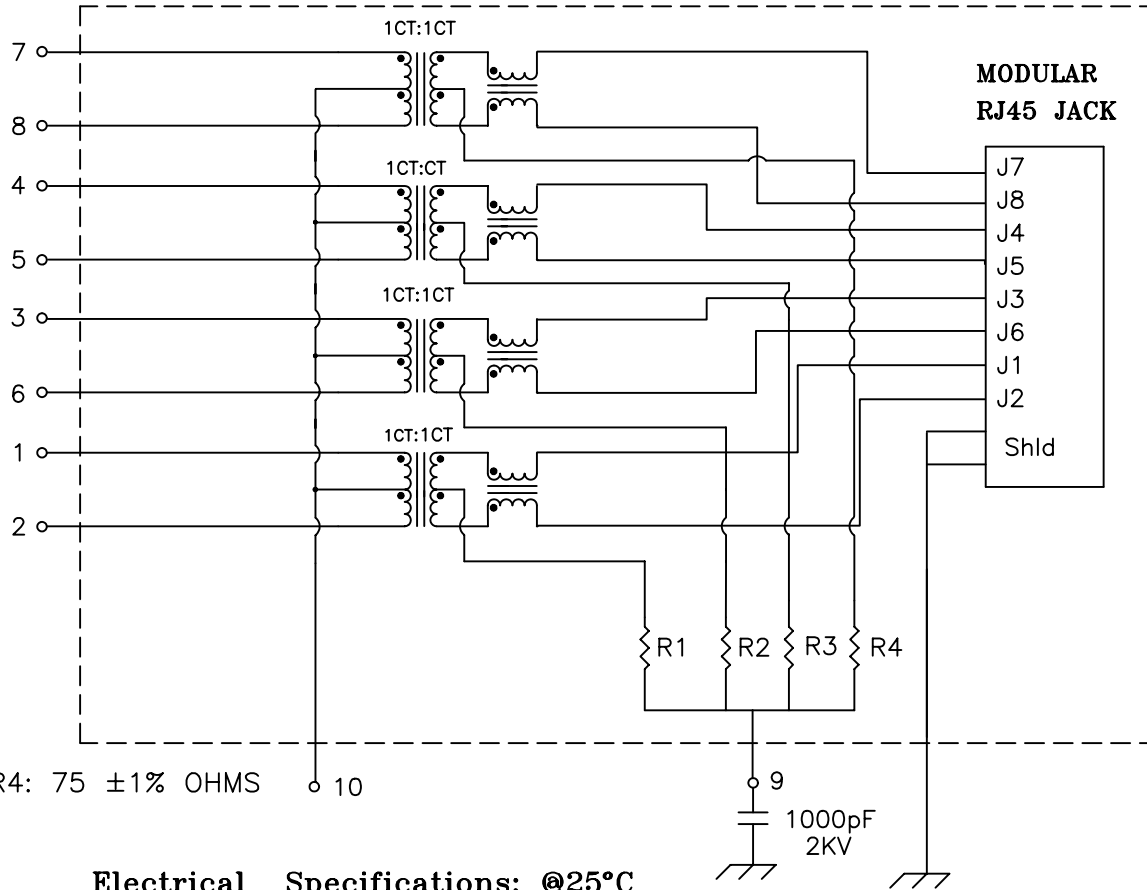


Schematic: (SINGLE PORT)



R1,R2,R3,R4: 75 ±1% OHMS

Electrical Specifications: @25°C

- ISOLATION: 1500 Vrms
- TURNS RATIO: (PRI/SEC) 1CT:1CT ±2%
- OCL: 350uH MIN @100KHz 100mV 8mADC
- Rise Time: 1.75ns Max.
- INSERTION LOSS: -1.0dB MAX @1MHz-100MHz
-1.5dB MAX @100-125MHz
- RETURN LOSS: -18dB Min @1-30MHz
-15dB Min @40MHz -13.1dB Min @50MHz
-12dB Min @60-80MHz -10dB Min @100MHz
- Differential to Common Mode Rejection:
-43dB Min @30MHz -37dB Min @80MHz
-33dB Min @100MHz
- CMRR: -30dB Min @1-100MHz
- Crosstalk: -45dB Min @30MHz
-40dB Min @60MHz -35dB Min @100MHz

Notes:

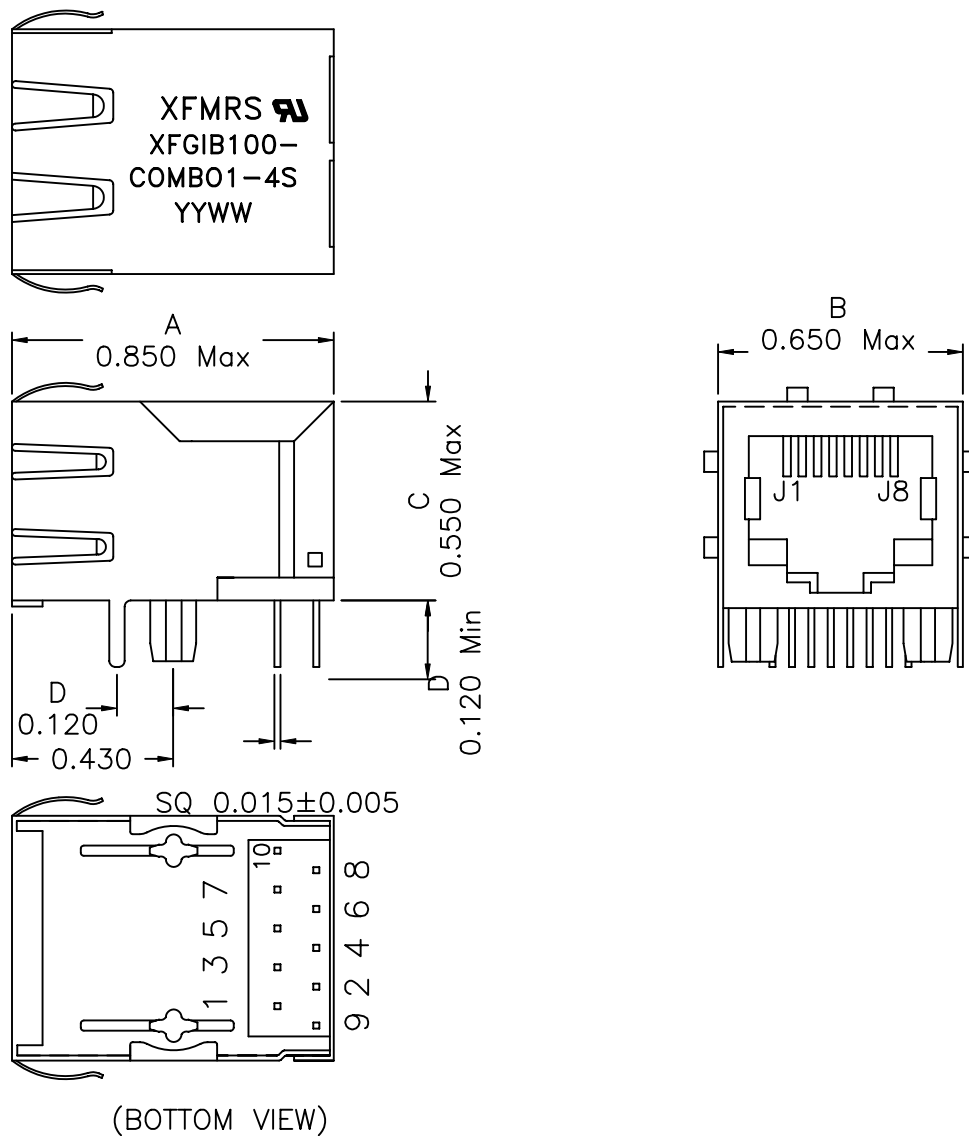
1. Solderability: Leads shall meet MIL-STD-202, Method 208D for solderability.
2. Flammability: UL94V-0
3. ASTM oxygen index: > 28%
4. Insulation System: Class F 155°C. UL file E151556
5. Operating Temperature Range: All listed parameters are to be within tolerance from -40°C to +85°C
6. Storage Temperature Range: -55°C to +125°C
7. Aqueous wash compatible

DOC REV.: A/6

XFMRs Inc.	Title: SINGLE PORT COMBO		
	UNLESS OTHERWISE SPECIFIED		P/N: XFGIB100-COMBO1-4S
	TOLERANCES:		REV. A
	.xxx ±0.010		
Dimensions in Inch	DWN.	李清儿	Jun-25-04
	CHK.	孙悦	Jun-25-04
SHEET 1 OF 2	APP.	MS	Jun-25-04

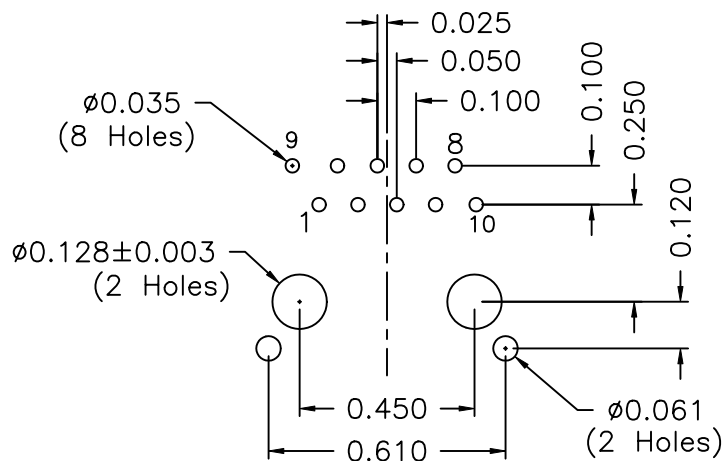
PROPRIETARY:
Document is the property of XFMRs Group & is not allowed to be duplicated without authorization.

Mechanical Dimensions:



Mounting Pattern:

(FOR COMBO1-4S)
(COMP SIDE)



DOC. REV A/6

XFMRS Inc.	Title: Mechanical Dimensions For COMBO1-4S Series	
	P/N: XFGIB100-COMBO1-4S	REV. A
UNLESS OTHERWISE SPECIFIED TOLERANCES: .xxx ±0.010 Dimensions in Inch	DWN.	李小锋 Jun-25-04
	CHK.	廖玉坤 Jun-25-04
	APP.	MS Jun-25-04
SHEET 2 OF 2		

PROPRIETARY:

Document is the property of XFMRS Group & is not allowed to be duplicated without authorization.