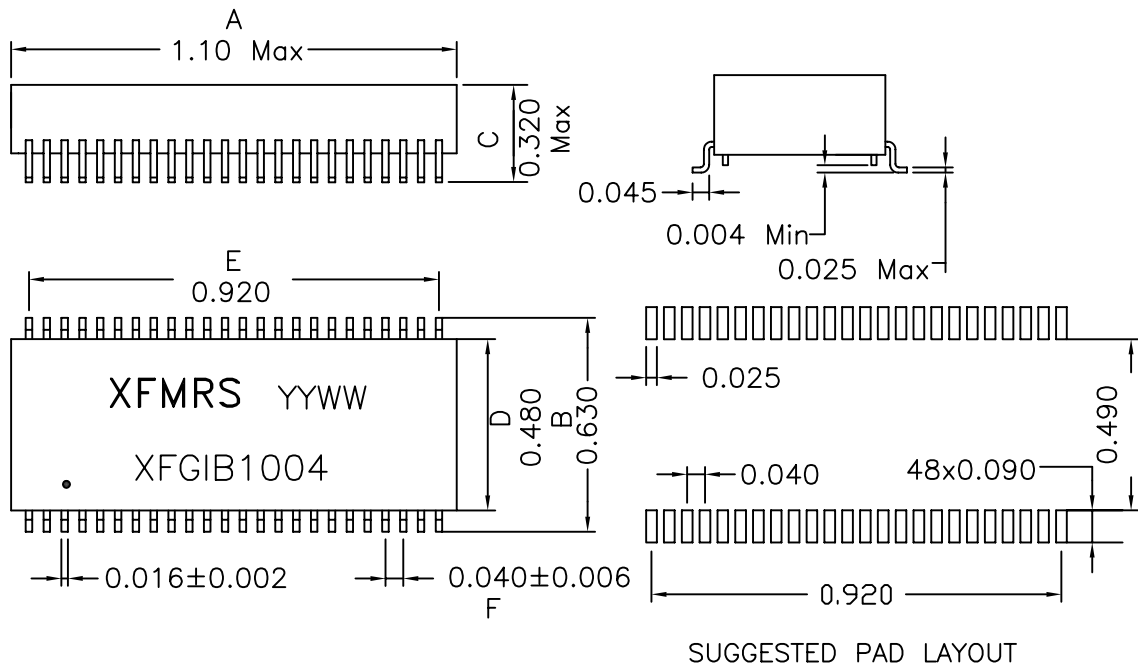


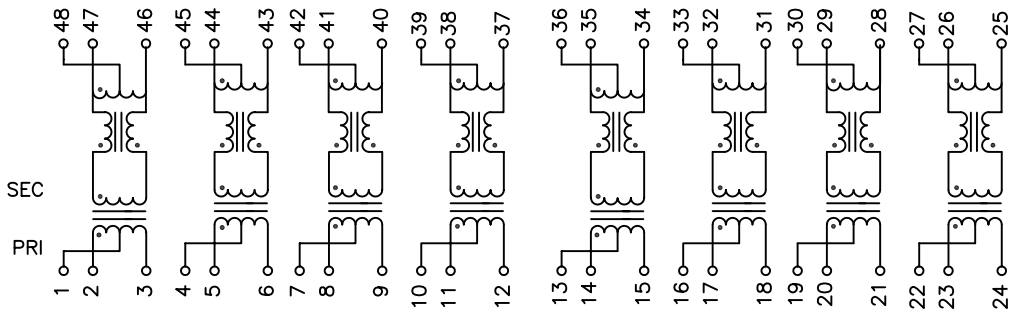
### 1. Mechanical Dimensions:



### 3. Electrical Specifications: @25°C

- ISOLATION: 1500 Vrms
- URNS RATIO: (PRI/SEC) 1CT:1 ±2%
- OCL(Pri): 350uH MIN @100KHz 100mV 8mADC
- Rise Time: 1.75ns Max.
- INSERTION LOSS: -1.4dB MAX @1MHz-100MHz
- RETURN LOSS: -16dB Min @1-30MHz
- 14.4dB Min @40MHz, -13.1dB Min @50MHz
- 12dB Min @60-80MHz, -10dB Min @100MHz
- Differential to Common Mode Rejection:
  - 45dB Min @30MHz -40dB Min @60MHz
  - 35dB Min @100MHz
- CMRR: -30dB Min @1-100MHz
- Crosstalk: -43.5dB Min @30MHz
- 37.5dB Min @60MHz, -33dB Min @100MHz

### 2. Schematic:



#### Notes:

- Solderability: Leads shall meet MIL-STD-202G, Method 208H for solderability.
- Flammability: UL94V-0
- ASTM oxygen index: > 28%
- Insulation System: Class F 155°C. UL file E151556
- Operating Temperature Range: All listed parameters are to be within tolerance from -40°C to +85°C
- Storage Temperature Range: -55°C to +125°C
- Aqueous wash compatible
- SMD Lead Coplanarity: ±0.004"(0.102mm)
- Electrical and mechanical specifications 100% tested
- RoHS Compliant Component

DOC. REV: A/8

**PROPRIETARY**

Document is the property of XFMRS Group & is not allowed to be duplicated without authorization.

<b>XFMRS Inc</b> www.XFMRS.com		Title: 1000BASE-T Modules	
UNLESS OTHERWISE SPECIFIED TOLERANCES: .xxx ±0.010 Dimensions in INCH	P/N: XFGIB1004		REV. A
	DWN.	Juan Mao	May-18-09
SCALE 2:1 SHT 1 OF 1	CHK.	YK Liao	May-18-09
	APP.	BW	May-18-09