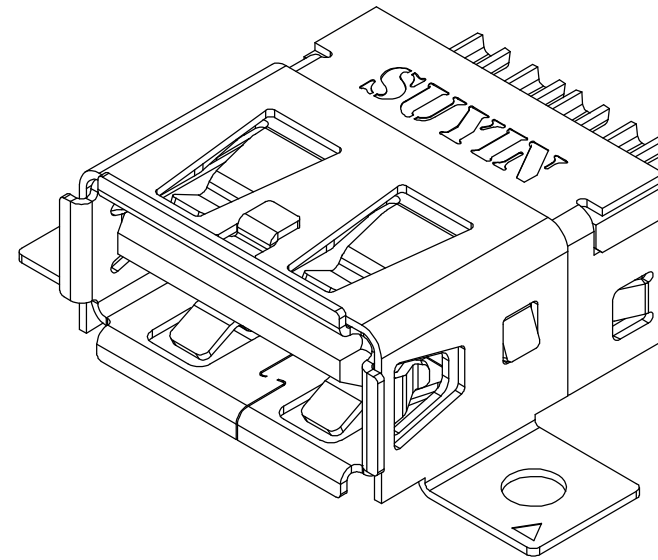
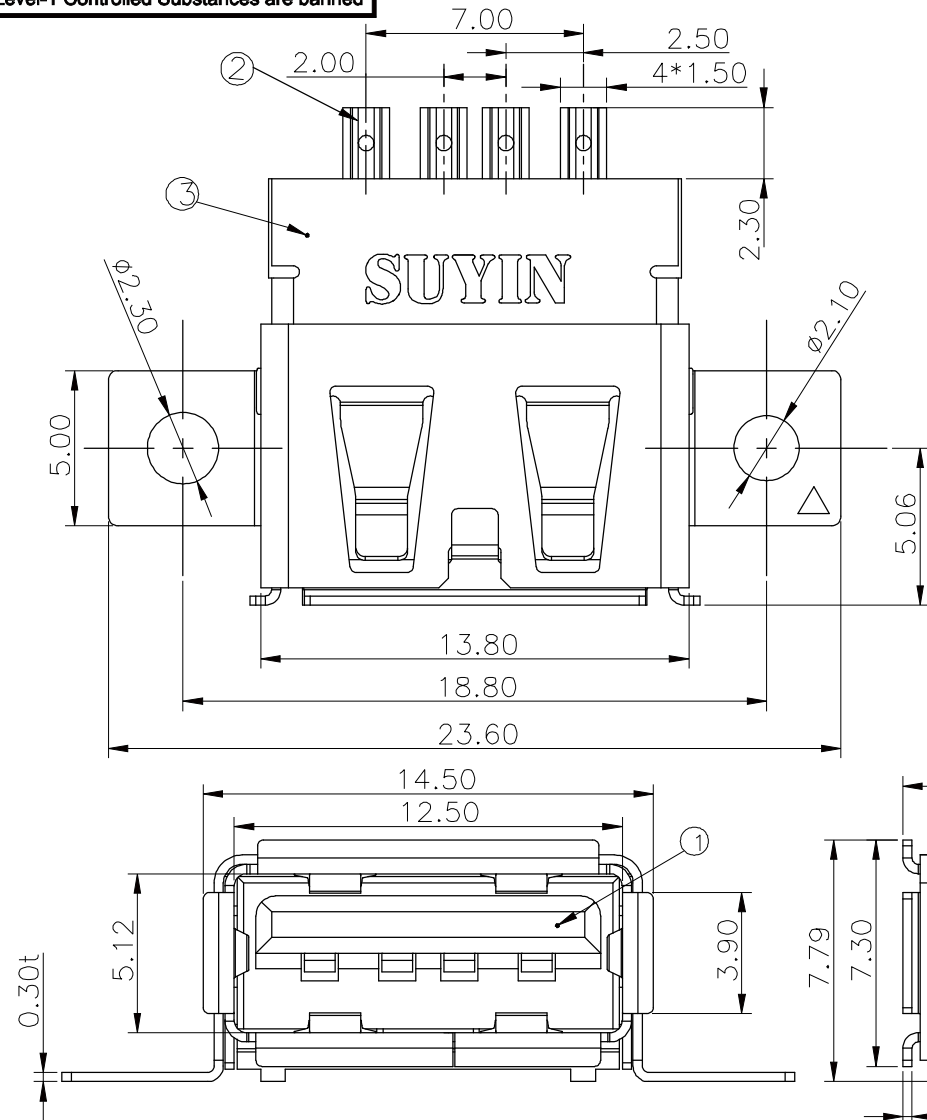




**RoHS Compliant**  
2002/95/EC  
**HSF**

Level-1 Controlled Substances are banned



020167MJ004SX31ZA

PLATING:

- 'S1,-05u" MIN. GOLD IN CONTACT AREA/  
100u" MIN. TIN IN SOLDER AREA.
- 'S2,-GOLD FLASH IN CONTACT AREA/  
100u" MIN. TIN IN SOLDER AREA.
- 'S3,-10u" MIN. GOLD IN CONTACT AREA/  
100u" MIN. TIN IN SOLDER AREA.
- 'S4,-15u" MIN. GOLD IN CONTACT AREA/  
100u" MIN. TIN IN SOLDER AREA.
- 'S5,-30u" MIN. GOLD IN CONTACT AREA/  
100u" MIN. TIN IN SOLDER AREA.

NO.	DESCRIPTION	MATERIAL	COLOR	REMARK
4	SHELL	METAL SHELL		NICKEL PLATED
3	SHELL	METAL SHELL		NICKEL PLATED
2	TERMINAL	CIPPER ALLOY		GOLD PLATED OVER NI
1	HOUSING	HIGH TEMP.PLASTIC	BLACK	UL 94V-0

**SUYIN**  
CONNECTOR

CUSTOMER COPY	TITLE: USB CONNECTOR			
PART NO.	020167MJ004SX31ZA			
PRODUCT SPEC.	020167MJ004XX31ZX			
FILE NAME.	D	020167MJ004SX31ZA-C		
SCALE	4:1	UNIT:mm	A4	SHEET: 1 of 2

DCB-070704-05	PA	07'/07/04	PA1:依包裝示意圖變更版次	陳光	謝日倉	王雷	許俊賢	Angle	±2'	DRAW	陳光	08'/07/11
ECN(DCN) NO.	REV	DATE	DESCRIPTION	CHANGE	APPRO.	GENERAL TOLERANCE UNLESS OTHERWISE NOTED		30 ~	±0.50	DESIGN	陳光	08'/07/11
								10 ~ 30	±0.30	CHECK	賀南方	08'/07/11
								~ 10	±0.15	APPRO.	謝日倉	08'/07/11