

**P/N: 12ST0037P DATA SHEET**

Page : 1/1

**Feature**

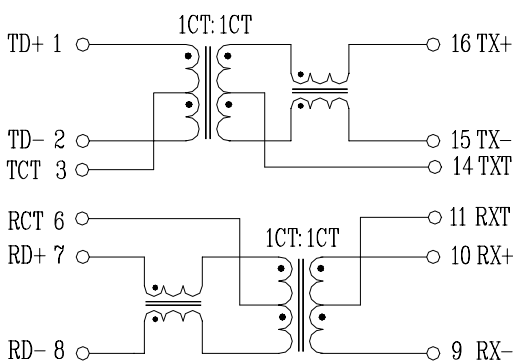
- Meets all IEEE802.3 and ANSI X3.263 standards including 350uH OCL with 8mA Bias.
- Compatible with Intel, TDK, QSI, and ICS.
- Low profile packages from .094" (2.39mm) to .078" (1.98mm) for PC Card and Card bus applications.
- Operating Temperature range: 0°C to +70°C.
- Storage temperature range: -25°C to +125°C.

**Electrical Specifications @ 25°C**

Part Number	Turns Ratio (±5%)	OCL (uH Min) @ 100KHz/0.1V with 8mA/DC Bias		C <sub>ww</sub> (pF Max)	DCR (Ω Max)			HI-POT (Vrms)
		pin(16-15)	pin(10-9)		(16-15)	(10-9)	(1-2)	
12ST0037P	1CT:1CT	350	200	25	1.6	0.7	1.0	1500

**Continue**

Part Number	Insertion Loss (dB Max)	Return Loss (dB Min)					Cross talk (dB Min)		DCMR (dB Min) TX/RX		
		0.3-100 MHz	30MHz	40MHz	50MHz	60MHz	80MHz	0.3-60MHz	60-100MHz	30MHz	60MHz
12ST0037P	-1.15	-16	-14	-13.5	-13	-12	-45	-35	-42/-40	-35/-30	-28/-25

**Schematic****Mechanical**