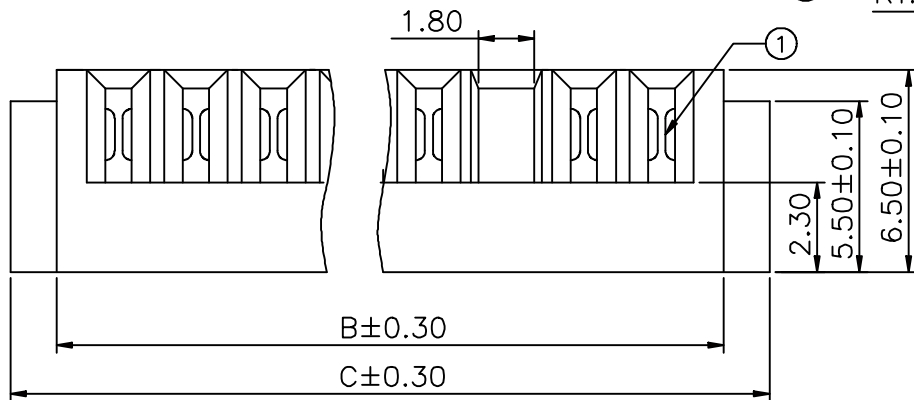
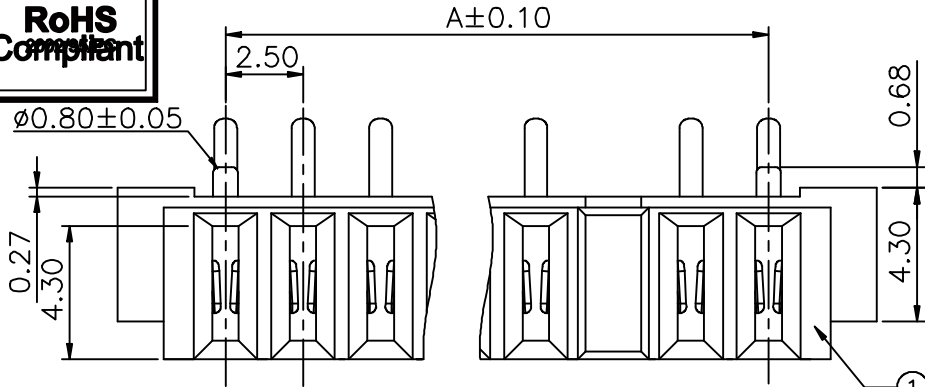


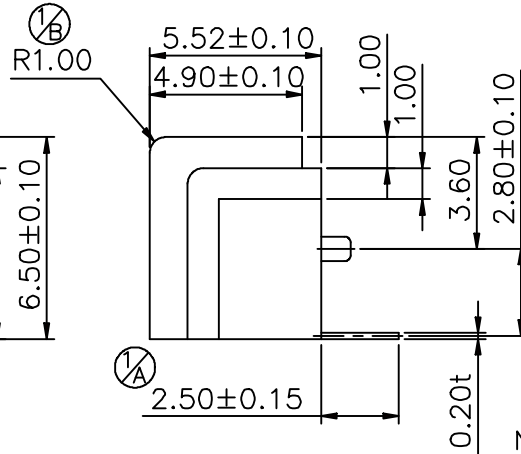


RoHS Compliant

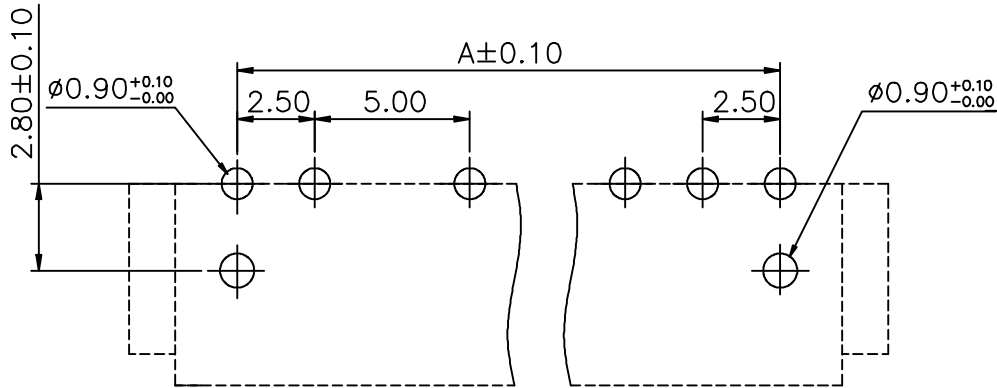


Dimension Information

SUYIN P/NO.(NEW)	SUYIN P/NO.(OLD)	DIM.A	DIM.B	DIM.C
250232FS003GX13ZU	25132A-03G1-M	7.50	11.50	14.45
250232FS004GX13ZU	25132A-04G1-M	10.00	14.00	16.95
250232FS005GX13ZU	25132A-05G1-M	12.50	16.50	19.45
250232FS006GX13ZU	25132A-06G1-M	15.00	19.00	21.95
250232FS007GX13ZU	25132A-07G1-M	17.50	21.50	24.45
250232FS008GX13ZU	25132A-08G1-M	20.00	24.00	26.95
250232FS009GX13ZU	25132A-09G1-M	22.50	26.50	29.45
250232FS010GX13ZU	25132A-10G1-M	25.00	29.00	31.95



RECOMMENDED P.C.B LAYOUT



NOTE:
250232FSXXXGX13ZU

- 1.No.of pin
- 2.Selective plating
 - G1-05u gold'over nickel
 - G2-gold flash over 30u" min nickel.
 - G3-10u gold'over nickel
 - G4-15u gold'over nickel
 - G5-30u gold'over nickel

NO.	DESCRIPTION	MATERIAL	COLOR	REMARK
3				
2	TERMINAL	Pho.Bronze		GOLD PLATED
1	HOUSING	High Temp. Plastic	BLACK	UL94V-0

SUYIN
CORPORATION

CUSTOMER COPY	TITLE: 2.50m/m Battery Socket R/A Type			
PART NO.		250232FSXXXGX13ZU		
PRODUCT SPEC.		250232FS/25132A		
FILE NAME.	D/ING	250232FSXXXGX13ZU-C		
SCALE	4:1	UNIT:mm	A4	SHEET: 1 of 2

ECN(DCN) NO.	REV	DATE	DESCRIPTION	CHANGE	APPRO.	GENERAL TOLERANCE UNLESS OTHERWISE NOTED
						Angle ±2° 30 ~ ±0.50 10 ~ 30 ±0.30 ~ 10 ±0.15
EC1B-060822-05	E	06'/08/22	E1: 變更圖框及合並業務圖及包裝示意圖	張留輝	葉銘良	
ECIT-041108-34	D	04'/11/08	D1: 變更材質	馬超	鄭卓耀	

DRAW	張留輝	06'/08/22
DESIGN	張留輝	06'/08/22
CHECK	鄧高云	06'/08/22
APPRO.	葉銘良	06'/08/22