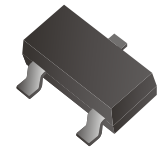


## CDBV3-00340S/C/A-G

Reverse Voltage: 40 Volts

Forward Current: 30 mA

RoHS Device



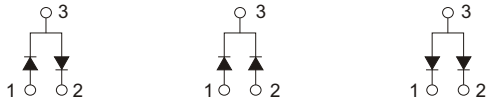
### Features

- Design for mounting on small surface.
- High speed switching application, circuit protection.
- Low turn-on voltage.

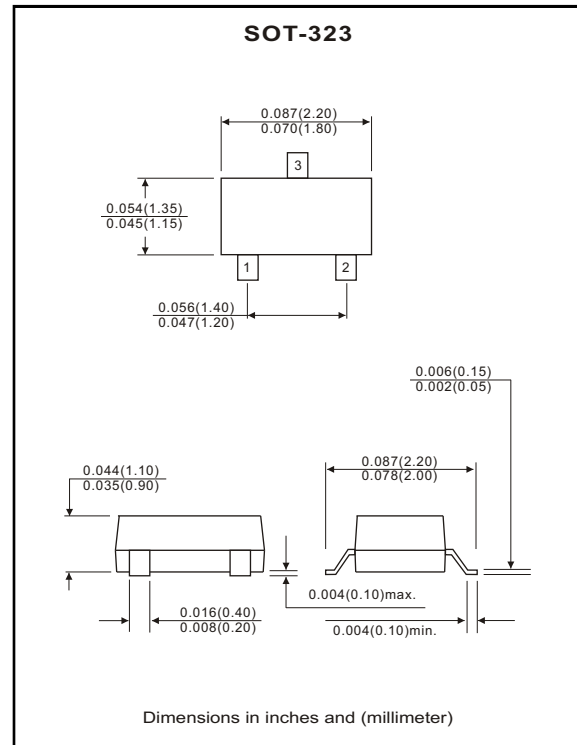
### Mechanical data

- Case: SOT-323, molded plastic.
- Terminals: solderable per MIL-STD-750, method 2026.
- Approx. weight: 0.006 grams

### Circuit diagram



CDBV3-00340S-G    CDBV3-00340C-G    CDBV3-00340A-G



### Maximum Ratings (at Ta=25°C unless otherwise noted)

Parameter	Symbol	Conditions	Min.	Typ.	Max.	Units
Repetitive peak reverse voltage	$V_{RRM}$				40	V
Reverse voltage	$V_R$				40	V
Average forward current	$I_o$				30	mA
Peak surge forward current	$I_{FSM}$	8.3ms half sine-wave superimposed on rate load (JEDEC method)		200		mA
Power dissipation	$P_D$				200	mW
Storage temperature	$T_{STG}$				+125	°C
Junction Temperature	$T_J$				+125	°C

### Electrical Characteristics (at Ta=25°C unless otherwise noted)

Parameter	Symbol	Conditions	Min.	Typ.	Max.	Units
Forward voltage	$V_F$	$I_F=1mA$			0.37	V
Reverse current	$I_R$	$V_R=10V$			1	μA
Capacitance between terminals	$C_T$	$f=1MHz, V_R=1V$		2	5	pF

# Small Signal Schottky Diodes



SMD Diodes Specialist

## RATING AND CHARACTERISTIC CURVES (CDBV3-00340S/C/A-G)

Fig.1 Forward Characteristics

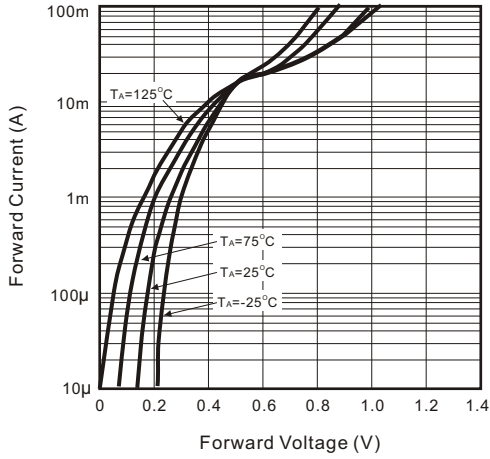


Fig.2 Reverse Characteristics

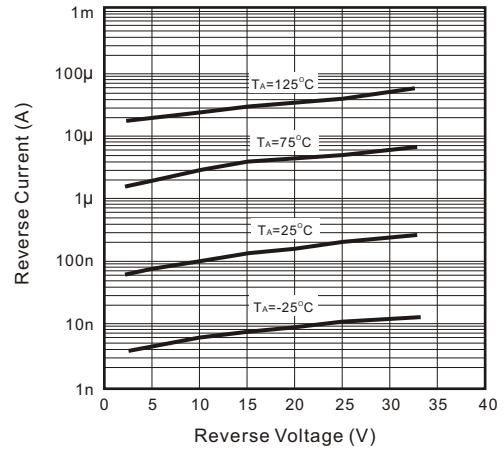


Fig.3 Capacitance Between Terminals Characteristics

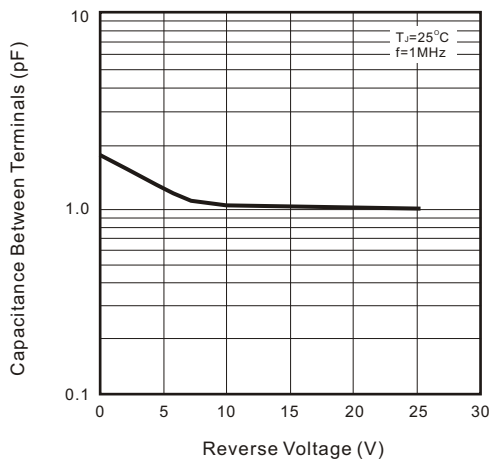


Fig.4 Power Derating Curve

