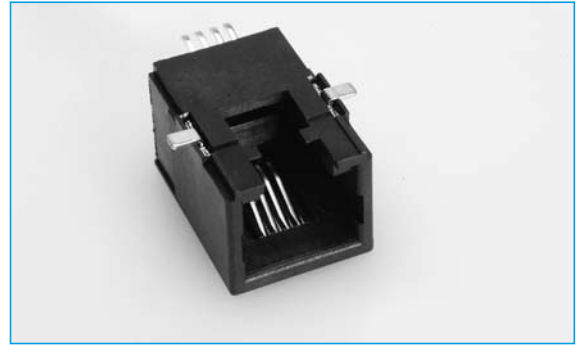


NETWORKING SOCKETS

- Surface Mount
- Competitively priced

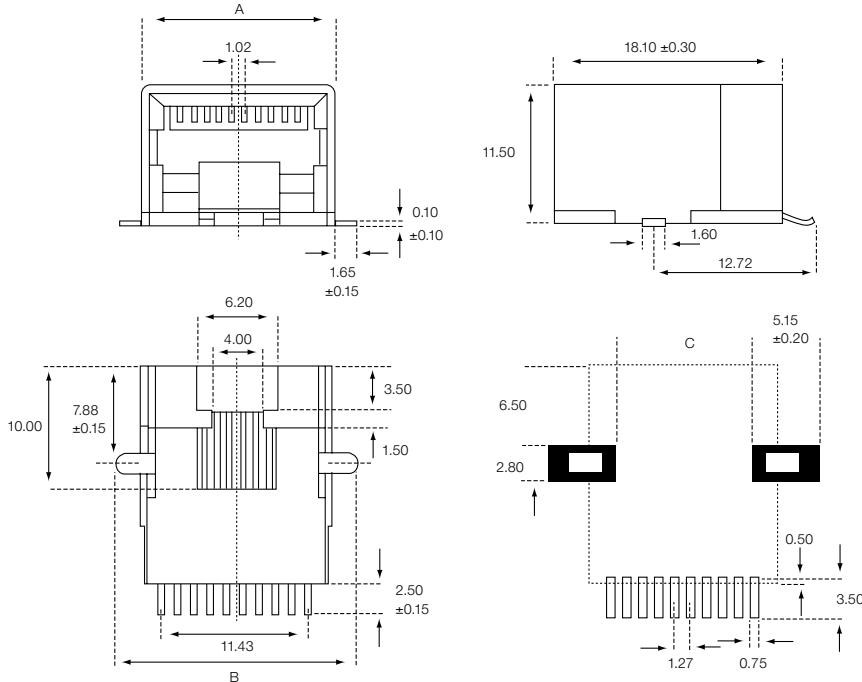
LOW PROFILE SIDE ENTRY - SMT



SPECIFICATION

Current Rating	3A
Contact Resistance	30mΩ max at DC 100mA
Dielectric withstanding Voltage	AC 500V for 1 minute
Insulation Resistance	1000mΩ min at DC 500V
Plating	Selective gold plating over Nickel Tin plate on solder foils
Housing	UL94V0 Standard
Colour	Black
Contact	0.35mm Phosphor Bronze
Operating Temperature	-55°C to +265°C

OUTLINE DRAWING



No of Positions	Dimensions		
	A	B	C
6x4	11.20	14.50	7.00
6x6	12.96	16.30	9.00
8x8	15.00	18.30	11.00

ORDERING INFORMATION

DBC	RJ	S	64	G
Dubilier Connectors	Series	Contact Type S = Socket	No. of Ways x No. of loaded contacts 6 x 4 6 x 6 8 x 8	Style G = Low Profile Side Entry-SMT