

AC COOLING FAN

80x80x38mm

- Voltage: 115 & 230 VAC
- Bearing options: Ball, Sleeve or Oil Bearing
- Material on housing: Aluminium Alloy Housing
- Airflow range: 24 CFM
- Suitable for PSU, Racks and Test Instruments



SPECIFICATION

Part No.	Bearing	Voltage/Freq(V/Hz)	Current(A)	Power (W)	Speed(RPM)	Air flow(CFM)	Pressure(mmAq)	Noise(dB/A)	Weight(g)
DBF8038x115H	Ball, Sleeve, Oil	115/50	0.13	8.98	2300	24.0	2.73	25.3	309
DBF8038x115M	Ball, Sleeve, Oil	115/50	0.08	5.42	2300	24.0	2.73	25.3	309
DBF8038x230H	Ball, Sleeve, Oil	230/50	0.07	8.80	2300	24.0	2.73	25.3	309
DBF8038x230M	Ball, Sleeve, Oil	230/50	0.05	6.80	2300	24.0	2.73	25.3	309

Impeller: Plastic (UL;94V-0)

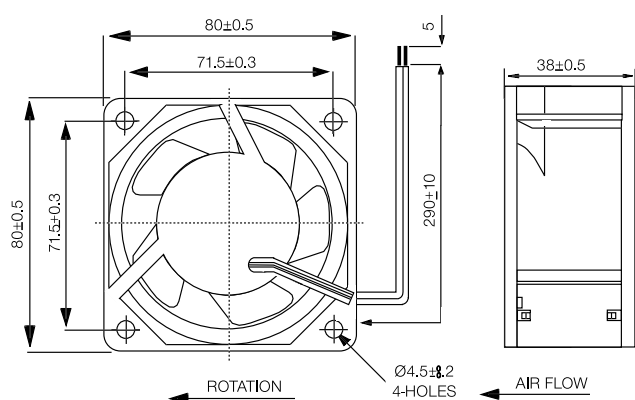
Lead Wire: UL1430 AWG22

Protection: Current Limit

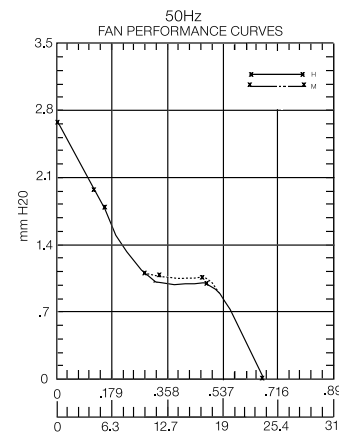
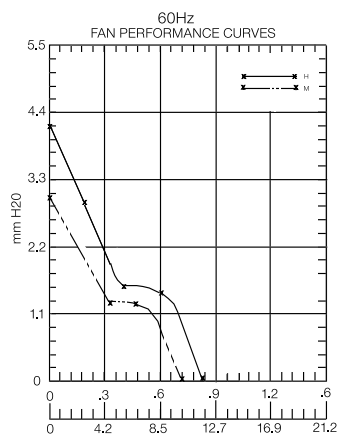
Operating Temp:-10° to 70° C

SECTION 12

EXTERNAL DIMENSIONS



PERFORMANCE CURVE



ORDERING INFORMATION

DBF	8038	B	115	M	T
Dubilier Fans	Size	Bearing	Voltage	Airflow	Lead Type
	80x80x38mm	B=Ball S=Sleeve G=Oil	115=115vac 230=230vac	H=High M=Medium	T=Terminal W=Wires