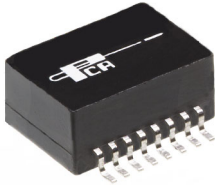


# Miniature T1/CEPT/ISDN-PRI Transformer

## EPA3387S



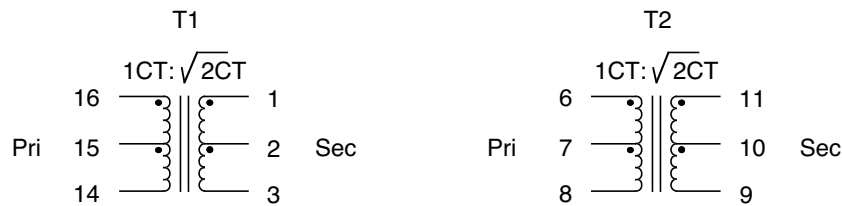
- Robust design allows for toughest soldering processes •
- Small outline package on 0.050" pitch •
- 1500 Vrms Isolation •

### Electrical Parameters @ 25° C

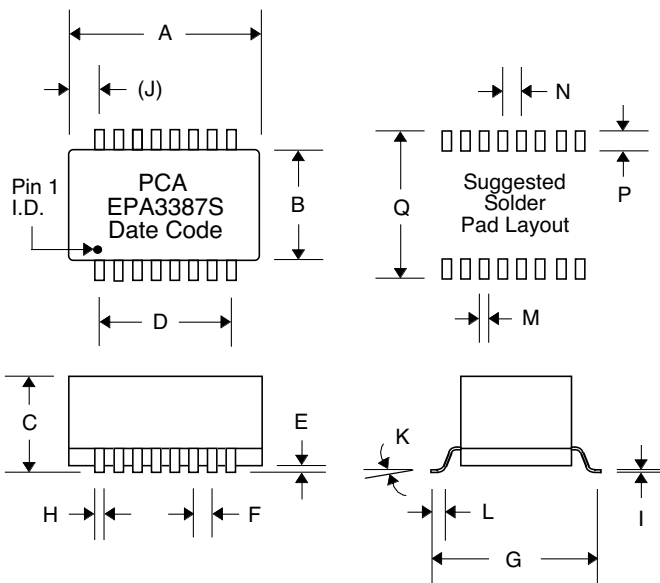
Primary Inductance (mH Min.)(1)	Leakage Inductance ( $\mu$ H Max.)(1)	Interwinding Capacitance (pF Max.)(1)	DCR ( $\Omega$ Max.)	
			Pri	Sec
1.2	0.6	30	0.7	1.0

**Notes:** 1) Measured @ 100 KHz, 0.1 Vrms.

### Schematic



### Package



### Dimensions

Dim.	(Inches)			(Millimeters)		
	Min.	Max.	Nom.	Min.	Max.	Nom.
A	.480	.500		12.19	12.70	
B	.260	.280		6.60	7.11	
C	.180	.200		4.57	5.08	
D	.350	Typ.		8.89	Typ.	
E	.005	.015		.127	.381	
F	.050	Typ.		1.27	Typ.	
G	.370	.390		9.40	9.91	
H	.016	.022		.406	.559	
I	.010	Typ.		.254	Typ.	
(J)	.070	Typ.		1.78	Typ.	
K	0°	8°		0°	8°	
L	.025	.045		.635	1.14	
M			.030			.762
N			.050			1.27
P			.055			1.40
Q			.400			10.16