

Ethernet DC/DC Converter EPC1111P & EPC1111H

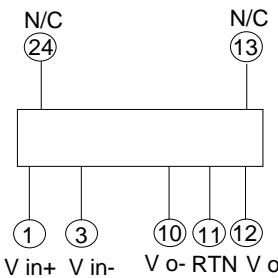
- Features**
- 75 % Typical efficiency at full load
 - Dual, Unregulated Output
 - Input / Output Isolation
 - Input filter to reduce input ripple current
 - Designed for low common mode noise

Electrical Specifications

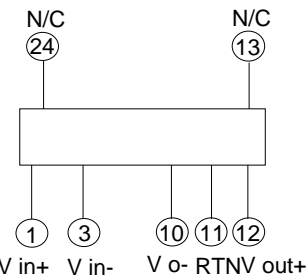
*Note : Package with G = Surface Mount Device

PCA P/N	Standard Package	Optional Packages	Input Voltage V	Output Voltage V	Output Current mA Max.	Output Ripple & Noise @ 20 MHz BW mV p-p	Isolation Vrms
EPC1111P	E10	E10-G*, F5	12.0	$\pm 9 \pm 5\%$	30 Max.	100 Max.	500
EPC1111H	E10	E10-G*, F5, E13	12.0	$\pm 9 \pm 5\%$	30 Max.	100 Max.	2000

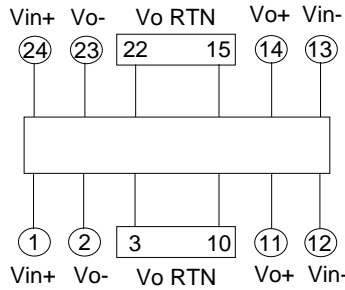
Pin Connections for E10



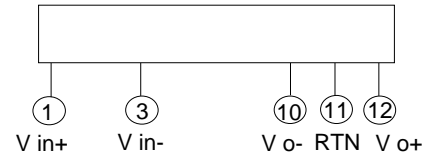
Pin Connections for E10-G



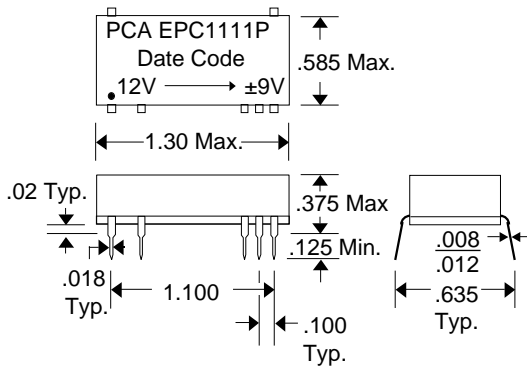
Pin Connections for E13



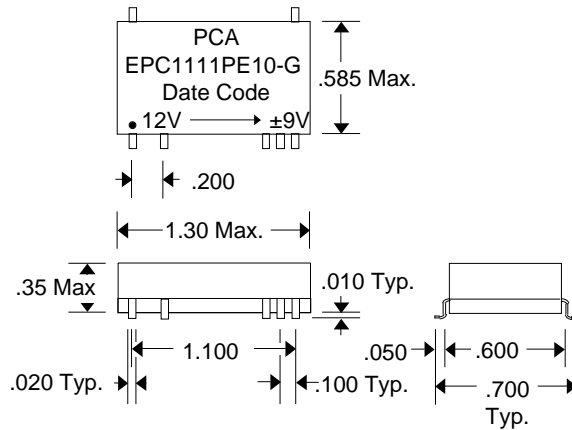
Pin Connections for F5



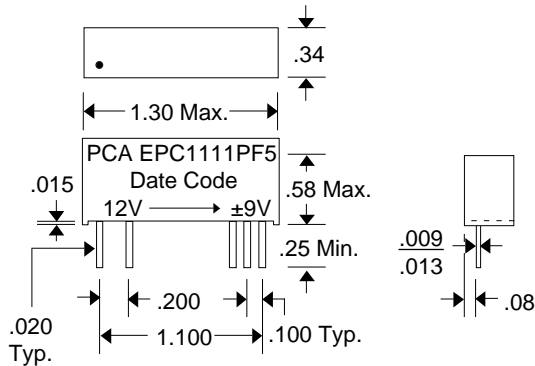
PACKAGE E10



PACKAGE E10-G



PACKAGE F5



PACKAGE E13

