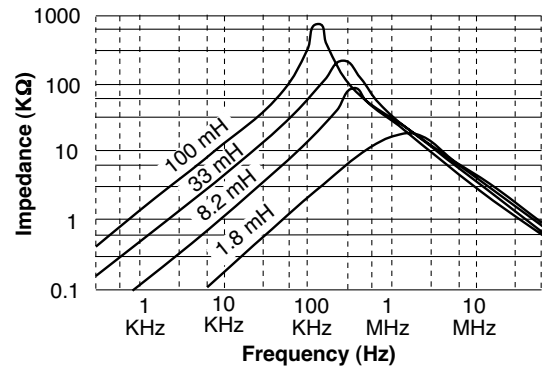


- Used as AC Power Line Filters in CTV, VTR, Audios, PC's, Facsimilies and Power Supply Applications
- UL940-V Recognized Materials
- Temperature Rise : 45°C Max.
- UL1446 Insulating System
- 2000 Vrms Isolation

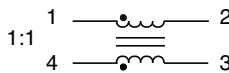
Electrical Parameters @ 25° C

Part Number	Inductance (mH Min.) [Pins 1-2, 4-3]	Current Rating (A rms Max.)
EPZ3040V-152	1.5	5.0
EPZ3040V-222	2.2	4.5
EPZ3040V-332	3.3	4.2
EPZ3040V-392	3.9	3.7
EPZ3040V-472	4.7	3.5
EPZ3040V-562	5.6	3.4
EPZ3040V-822	8.2	3.0
EPZ3040V-103	10	2.5
EPZ3040V-153	15	2.0
EPZ3040V-183	18	1.9
EPZ3040V-223	22	1.8
EPZ3040V-273	27	1.5
EPZ3040V-333	33	1.4
EPZ3040V-473	47	1.2
EPZ3040V-563	56	1.1
EPZ3040V-823	82	0.8

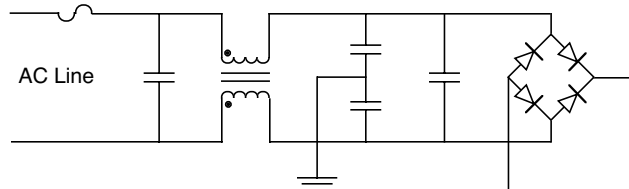
Impedance Characteristics



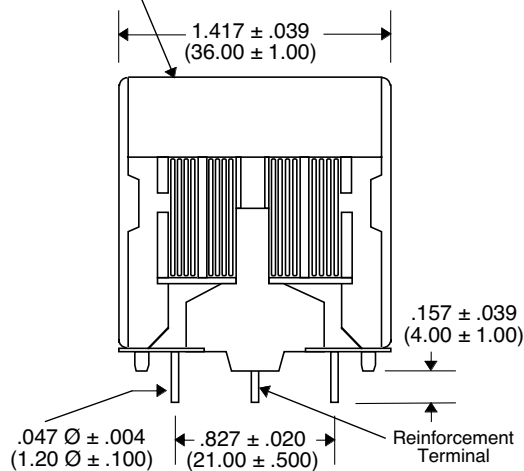
Schematic



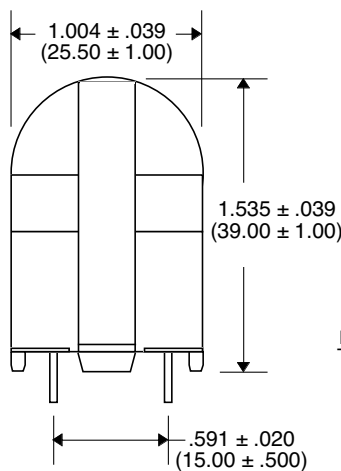
Circuit Sample



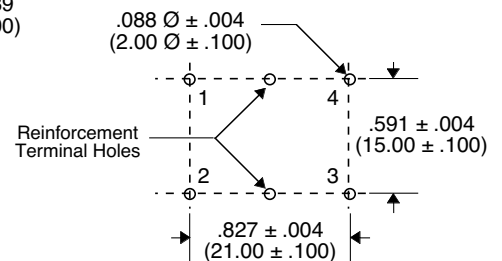
Marking :
PCA
EPZ3040V-XXX
D.C.



Package



Recommended PWB Piercing Plan



Unless Otherwise Specified Dimensions are in Inches /mm ± .010 /.25