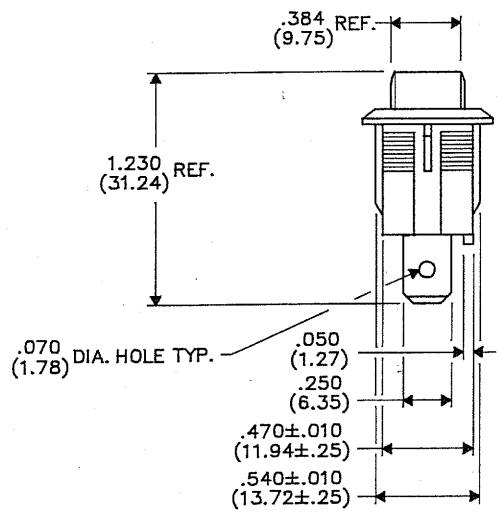
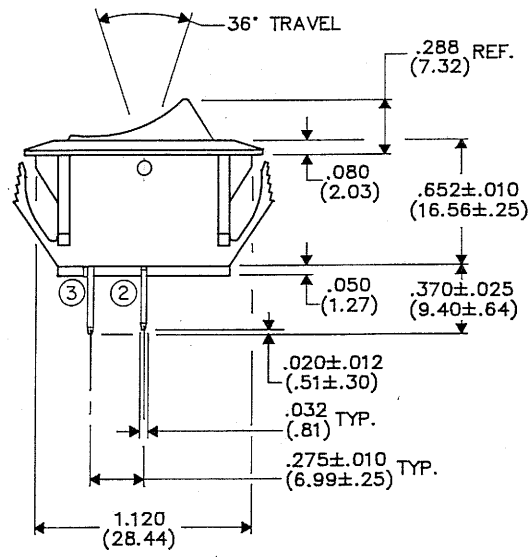
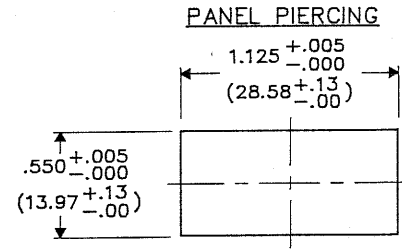
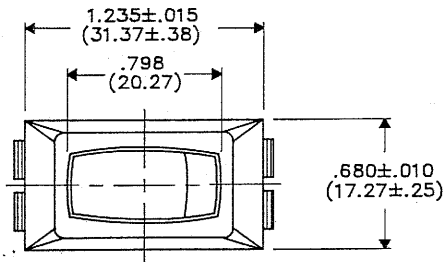


DIMENSIONS IN INCHES (MILLIMETERS)
DO NOT SCALE DRAWING...

Drawing No. **GRS-2011B-2000**



B-FORM-0
REVISIONS
RELEASED
MAM 4-18-90
SEP 20 1990

PDF File Made:	CW INDUSTRIES Southampton, Pa. 18966	Title ASSEMBLY DRAWING S.P.S.T. ROCKER SWITCH MOMENTARY NORMALLY OPEN NON-POLARIZED 1.125" x .550" PANEL
	TOLERANCES UNLESS OTHERWISE SPECIFIED	
	2 Place decimal ±.010 METRIC	
	3 Place decimal ±.005 1 Place dec. ±.25 MM	
	Angles: ±1° 1/2 Place dec. ±.15 MM	
Made for: CW Ind.	Division SWITCH	
Drawn by: MAM 4-18-90	Drawing No. GRS-2011B-2000	
Checked by: <i>[Signature]</i> 8-20-90		
Approval: <i>[Signature]</i> 8-10-90		