

# Stratum 3E HCMOS Oscillator OX125 TiMax Series



## VCOCXO

### Features:

Designed to meet Stratum 3E requirements  
Variable frequency (VCOCXO)  
Frequency Stability  $\pm 10$ ppb  
5.0V Operation  
HCMOS Output

The Connor-Winfield OX125 TiMax Series is a 5V Voltage Controlled Oven Controlled Crystal Oscillator (VCOCXO) with an HCMOS output. The OX125 Series is designed for Stratum 3E applications requiring low jitter and tight frequency stability.

2111 Comprehensive Drive  
Aurora, Illinois 60505  
Phone: 630-851-4722  
Fax: 630-851-5040  
[www.conwin.com](http://www.conwin.com)

US Headquarters:  
630-851-4722  
European Headquarters:  
+353-61-472221

### Absolute Maximum Ratings

| Parameter            | Minimum | Nominal | Maximum | Units | Notes |
|----------------------|---------|---------|---------|-------|-------|
| Storage Temperature  | -40     | -       | 85      | °C    |       |
| Supply Voltage (Vcc) | -0.5    | -       | 7       | Vdc   |       |

### Operating Specifications

| Parameter                          | Minimum | Nominal  | Maximum | Units   | Notes |
|------------------------------------|---------|----------|---------|---------|-------|
| Center Frequency (Fo)              | -       | 10-12.8  | -       | MHz     | 1     |
| Frequency Calibration (Vc=2.5 Vdc) | -0.2    | -        | 0.2     | ppm     | 2     |
| Frequency Stability                | -10     | -        | 10      | ppb     | 3     |
| Aging: Daily                       | -1      | -        | 1       | ppb/day | 4     |
| Aging: First Year                  | -30     | -        | 30      | ppb     |       |
| Aging: Short Term (1 Sec)          | -       | 5.00E-11 | -       | RMS     | 5     |
| Aging: Long Term (20 years)        | -       | -        | 300     | ppb     |       |
| Operating Temp Range               | 0       | -        | 70      | °C      |       |
| Supply Voltage (Vcc)               | 4.75    | 5.00     | 5.25    | Vdc     |       |
| Voltage Stability ( $\pm 1\%$ )    | -0.5    | -        | 0.5     | ppb     | 6     |
| Load Stability $\pm 20\%$          | -0.5    | -        | 0.5     | ppb     | 7     |
| Power Consumption: Turn On         | -       | -        | 2.75    | W       | 8     |
| Steady-State                       | -       | -        | 1.5     |         |       |
| Start-Up Time                      | -       | -        | 500     | mS      | 9     |
| Warm Up                            | -100    | -        | 100     | ppb     | 10    |
| 2G Tip-over                        | -       | 5        | -       | ppb/G   |       |
| TDEV at 300 seconds                | -       | -        | 5       | nS      | 11    |
| TDEV at 40 seconds                 | -       | -        | 1       |         |       |

### Input Characteristics

| Parameter                         | Minimum   | Nominal | Maximum   | Units | Notes |
|-----------------------------------|-----------|---------|-----------|-------|-------|
| Control Voltage (Pin 1) Vc        | 0.5       | 2.5     | 4.5       | Vdc   |       |
| Deviation @ 25°C referenced to Fo | $\pm 0.3$ | -       | $\pm 1.0$ | ppm   | 9     |
| Input Impedance (Pin 1)           | 50k       | -       | -         | Ohm   |       |

### Notes:

- Labels will include the calibration frequency at the time of ship.
- Initial calibration @ 25°C, Vc=2.5Vdc
- Frequency vs temperature stability
- After ten days of continuous operation
- Allen Variance: 1 second, 100 average
- Frequency vs change in supply voltage
- Frequency vs change in load
- Vcc = 5.0Vdc
- From Vcc=90% of final value. No more than 16 transitions at start-up before oscillator has started.
- Measured @ 0°C, within 5 minutes, referenced one hour after turn-on.
- At time of delivery.
- HCMOS load.
- For a given off time, the time required to meet daily aging, short-term stability and TDEV requirements.

### Ordering Information

OX125 - 010.0 MHz

OCXO  
SERIES

CENTER  
FREQUENCY



Bulletin **Cx148**  
Page **1 of 2**  
Revision **00**  
Date **09 Sept 2007**

## HC MOS Output Characteristics

| Parameter                        | Minimum       | Nominal | Maximum  | Units | Notes |
|----------------------------------|---------------|---------|----------|-------|-------|
| Load                             | 12            | 15      | 18       | pf    | 12    |
| Voltage: High (Voh)<br>Low (Vol) | Vcc-0.2V<br>- | -<br>-  | -<br>0.2 | Vdc   |       |
| Duty Cycle at 50% of Vcc         | 45            | 50      | 55       | %     |       |
| Rise / Fall Time 10% to 90%      | -             | -       | 5        | nS    |       |
| Spurious Output                  | -             | -       | -80      | dBc   |       |
| SSB Phase Noise                  |               |         |          |       |       |
| at 1 Hz offset                   | -             | -       | -90      |       |       |
| at 10 Hz offset                  | -             | -       | -115     |       |       |
| at 100 Hz offset                 | -             | -       | -130     |       |       |
| at 1 kHz offset                  | -             | -       | -135     |       |       |
| at 10 kHz offset                 | -             | -       | -140     |       |       |

## Restabilization Time

| Off Time     | Restabilization Time  | Notes |
|--------------|-----------------------|-------|
| < 1 Hour     | < 2 Hours             |       |
| < 6 Hours    | < 12 Hours            |       |
| < 24 Hours   | < 48 Hours            | 13    |
| 1 to 16 Days | 48 Hours + ¼ Off Time |       |
| > 16 Days    | < 6 Days              |       |

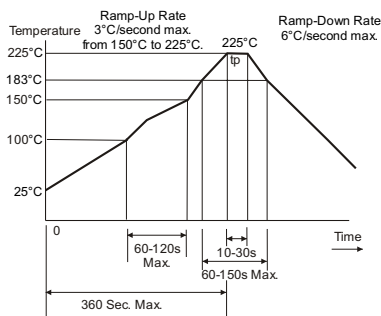
## Package Characteristics

|         |  |
|---------|--|
| Package | Metal package: solder sealed, grounded case, solder tinned pins. |
|---------|--|

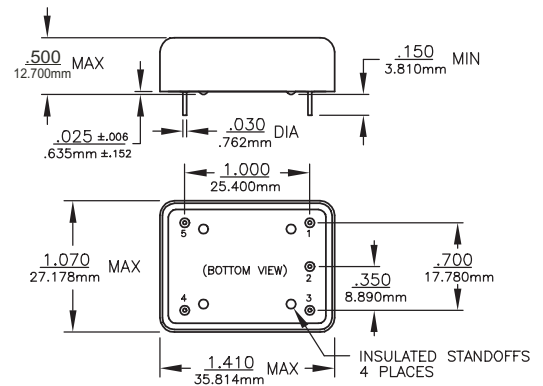
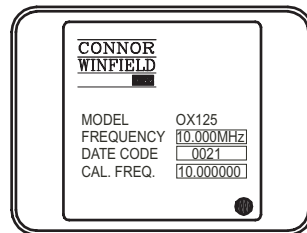
## Environmental Characteristics

|           |  |
|-----------|--|
| Shock     | 100G's, 6mS, halfsine per MIL-STD-202F, Method 213B, Test Condition C                |
| Vibration | 0.06" D.A. or 10G peak 10 to 500 Hz, per MIL-STD-202F, Method 204D, Test condition A |

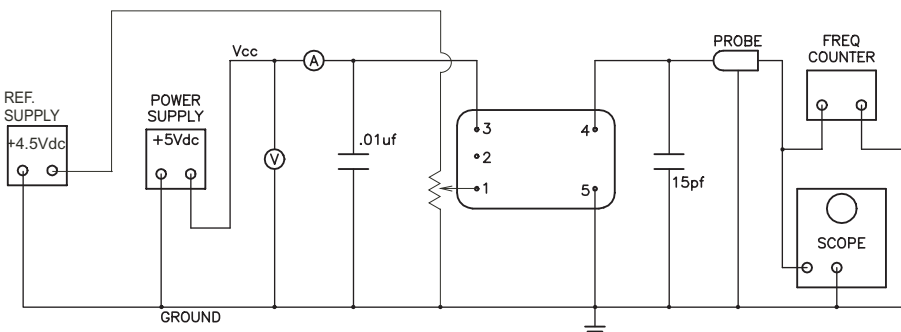
## RoHS 5-6 Solder Profile



## Package Outline



## Test Diagram



## Pin Connections

- 1: Control Voltage
- 2: No Connect
- 3: Supply Voltage
- 4: RF Output
- 5: Circuit & Package Ground

Dimensional Tolerance: ±.005 (.127mm)

|          |                     |
|----------|---------------------|
| Bulletin | <b>Cx148</b>        |
| Page     | <b>2 of 2</b>       |
| Revision | <b>00</b>           |
| Date     | <b>09 Sept 2007</b> |