



Frontier Electronics Corp.

667 E. COCHRAN STREET, SIMI VALLEY, CA 93065

TEL: (805) 522-9998 FAX: (805) 522-9989

E-mail: frontiersales@frontierusa.com

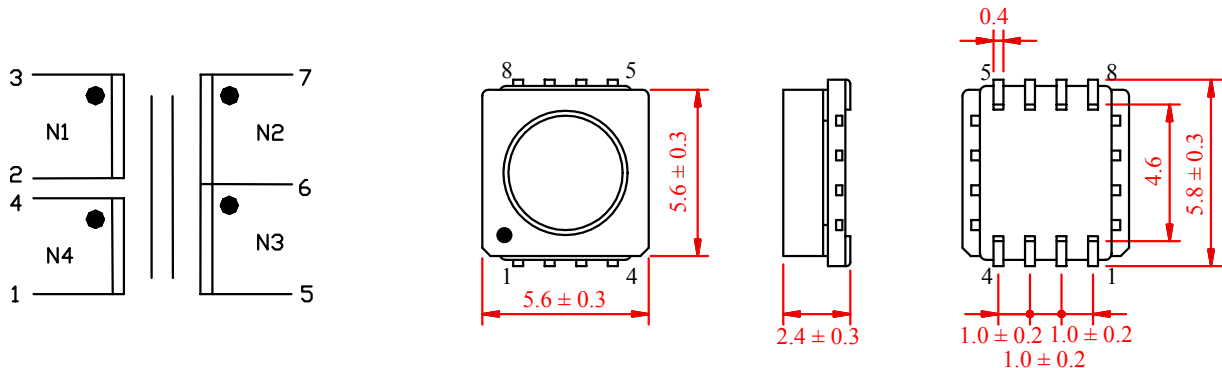
Web: frontierusa.com

CCFL Inverter Transformer—TSS0525F-01

A. CHARACTERISTICS:

Part No.	Input Voltage	Operation Frequency	Max. Output Wattage	Output Voltage	
				V out 1	V out 2
TSS0525F-01	1.8V~3.3V	100KHz~800KHz	0.5 W	+15 VDC	-7.5 VDC

B. Schematics and Mechanical dimensions: (Unit: mm)



C. Electrical Data:

Model No.	INDUCTANCE	TURNS RATIO			
		N1	N2	N3	N4
TSS00525F-01	190uH ± 25%	1	3.32	1.68	1

D. Insulation:

Term	Item	Spec.	Condition
Hi-Pot	Coil to Coil	500 VAC / 1 Minute	@Cut off current=3mA
Hi-Pot	Coil to Core	500 VAC / 1 Minute	
Isolation	Coil to Coil	100 MOHM Min.	@ 100 VDC

E. Features:

- Low profile height: Maximum 2.70 mm.
- Drum / Ring type: Ferrite core (Ni – Zn).
- High efficiency.
- Surface mount.
- Suitable for standard IR re-flows soldering.

F. Uses:

- Digital Camera.

Note: **RoHS** compliant; for the **ROHS** parts, we add “-LFR” at the end of the P/N.