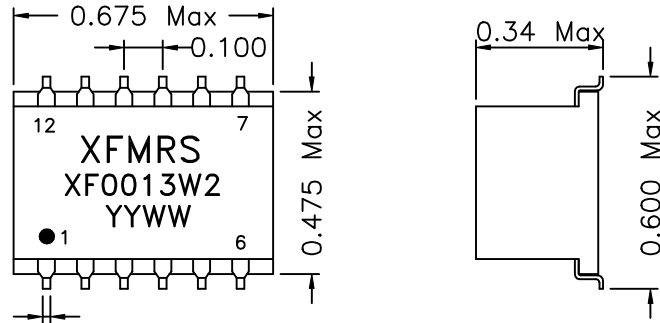
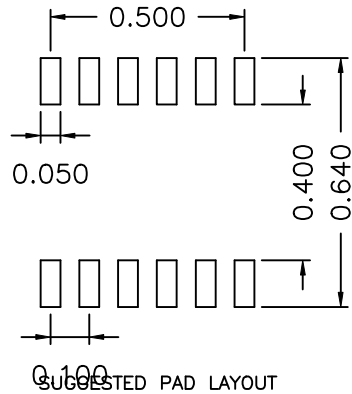


### 1. Dimensions:



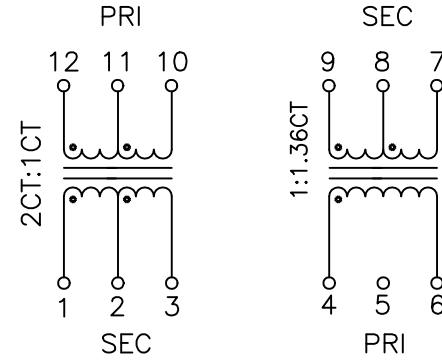
0.018±0.002



**Note:**

1. Solderability: Leads shall meet MIL-STD-202, Method 208D for solderability.
2. Flammability: UL94V-0,
3. ASTM oxygen index: > 28% ,
4. Temperature rating: 155°C. UL file E151556,
5. Operating Temperature Range: 0°C to +70°C

### 2. Schematic:



### 3. Electrical Specifications: @25°C

Isolation Voltage: 1500 Vrms (PRI/SEC)

Turns Ratio: (12-11-10):(1-2-3)=1CT:2CT ±2%

Turns Ratio: (4-6):(9-8-7)=1:1.36CT ±2%

PRI OCL: 1.60mH Minimum @100KHz 50mV

PIN1-2-3 / PIN12-11-10 Cw/w: 60pF Max @100KHz 50mV

PIN4-6 / PIN9-8-7 Cw/w: 50pF Max @100KHz 50mV

Leakage Inductance:

PIN12-10: 1.0uH Max @100KHz 50mV PIN1-3 Shorted

PIN4-6: 0.80uH Max @100KHz 50mV PIN9-7 Shorted

PRI DC Resistance: 1.5 Ohms Maximum

PIN1-3 DC Resistance: 2.0 Ohms Maximum

PIN9-7 DC Resistance: 1.7 Ohms Maximum

DOC. REV A/1

<b>XFMR5 Inc</b>	Title: TRANSFORMERS			
	UNLESS OTHERWISE SPECIFIED		P/N: XF0013W2	REV. A
	TOLERANCES:		DWN.	李小锋
	.xxx ±0.010		CHK.	廖玉坤
	Dimensions in Inch		APP.	BW
SHEET 1 OF 1			May-24-01	May-24-01