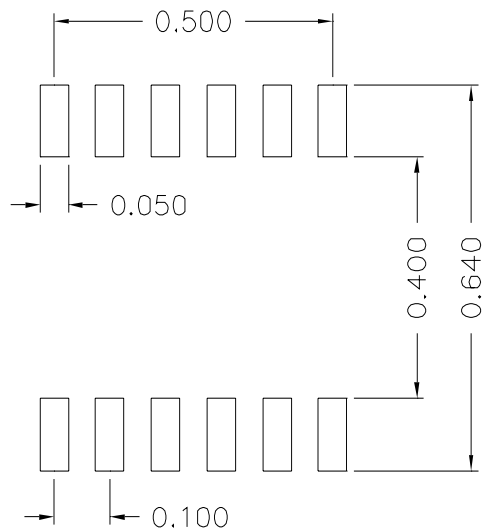
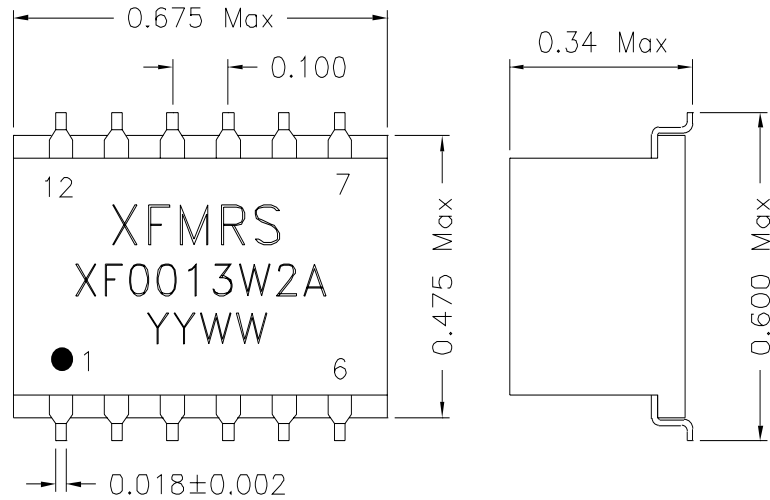
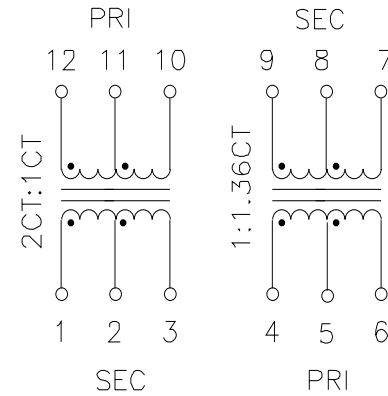


### 1. Dimensions:



SUGGESTED PAD LAYOUT

### 2. Schematic:



### 3. Electrical Specifications: @25°C

Isolation Voltage: 1500 Vrms (PRI/SEC)

Turns Ratio: (12-11-10):(1-2-3) = 1CT:2CT ±2%

Turns Ratio: (4-6):(9-8-7) = 1:1.36CT ±2%

PRI OCL: 1.20mH MIN. @100KHz 50mV

Cw/w: 50pF Max. @100KHz 50mV

Leakage Inductance: 0.80uH MAX. @100KHz 50mV

PRI DC Resistance: 1.0 Ohms MAX.

SEC DC Resistance: 1.70 Ohms MAX.

DOC. REV A/1

<b>XFMRS Inc</b> UNLESS OTHERWISE SPECIFIED TOLERANCES: .xxx ±0.010 Dimensions in Inch	Title: TRANSFORMER	
	P/N: XFO013W2A	REV. A
	DWN.	Jan-6-00
	CHK. Joe Huff	Jan-6-00
SCALE 2.5:1 SHT 1 OF 1	APP. AEI	Jan-6-00