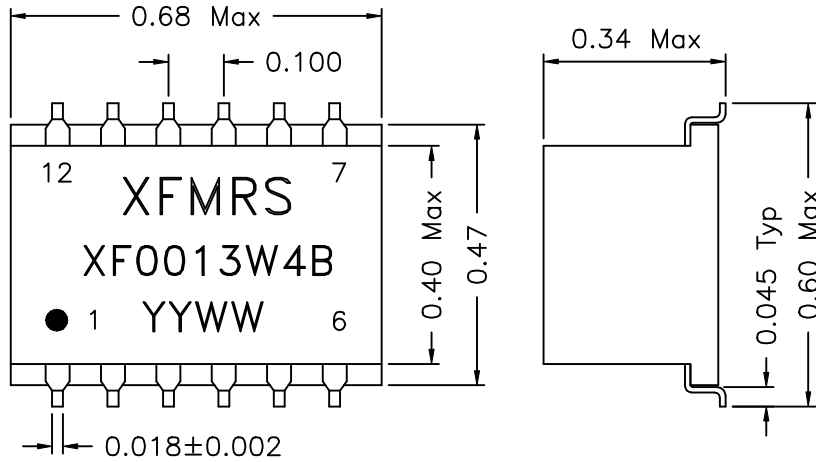


1. Dimensions:



3. Electrical Specifications: @25°C

Isolation Voltage: 1500 Vrms (PRI/SEC)

Turns Ratio: (P12-10):(P1-2-3)=1:1.15CT±2%

(P4-5-6):(P9-8-7)=1CT:2CT±2%

PRI OCL: 1.60mH Minimum @100KHz 50mV

Cw/w: P12-1 60pF Max @100KHz 50mV

Cw/w: P9-4 50pF Max @100KHz 50mV

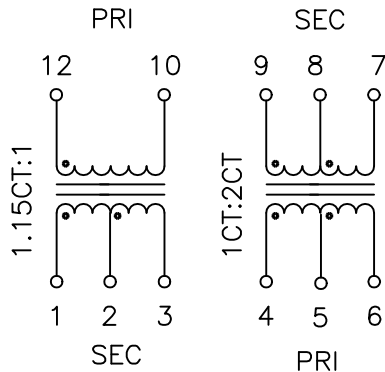
LL: 0.80uH Max @100KHz 50mV

PRI DC Resistance 1.0 Ohms Maximum

SEC DC Resistance P1-2-3 1.0 Ohms Maximum

SEC DC Resistance P9-8-7 2.0 Ohms Maximum

2. Schematic:



Doc Rev.: A/1

XFMRS Inc	Title: TRANSFORMER	
	UNLESS OTHERWISE SPECIFIED	P/N: XF0013W4B REV. A
	TOLERANCES:	DWN. 李清儿 Jan-21-99
	.xxx ±0.010	CHK. 孙小松 Jan-21-99
Dimensions in Inch	APP. Joe Huff Jan-21-99	SCALE 2.5:1 SHT 1 OF 1