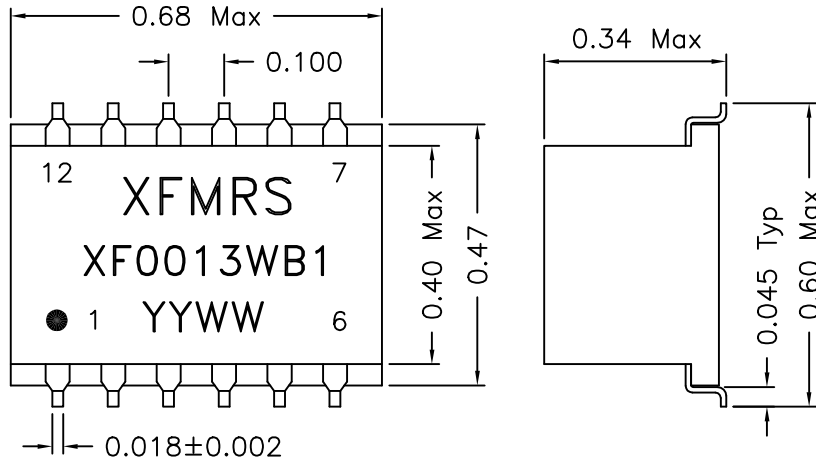
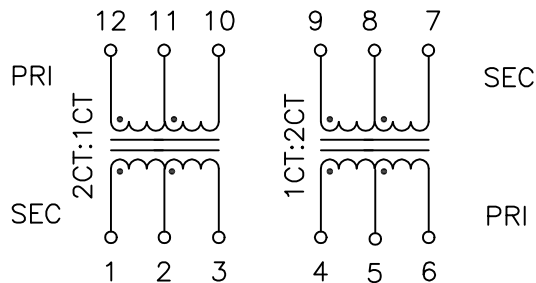


1. Dimensions:



2. Schematic:



3. Electrical Specifications: @25°C

Isolation Voltage: 1500 Vrms (PRI/SEC)

Turns Ratio: (12-11-10):(1-2-3)=1CT:2CT±2%

(4-5-6):(9-8-7)=1CT:2CT±2%

PRI OCL: 12-10,4-6 1.2mH MIN. @100KHz 50mV

Cw/w: Each Coil 50pF MAX. @100KHz 50mV

PRI LL: Each Coil 0.80uH MAX. @100KHz 50mV

PRI DC Resistance: 1.00 Ohms MAX.

Sec DC Resistance: 1.70 Ohms MAX.

XFMRS Inc

Title: TRANSFORMER

UNLESS OTHERWISE SPECIFIED

P/N: XF0013WB1

REV. B

TOLERANCES:
.xxx ±0.010

DWN. 李清儿

Jan-26-99

Dimensions in Inch

CHK. 孙小松

Jan-26-99