

400Hz Fans

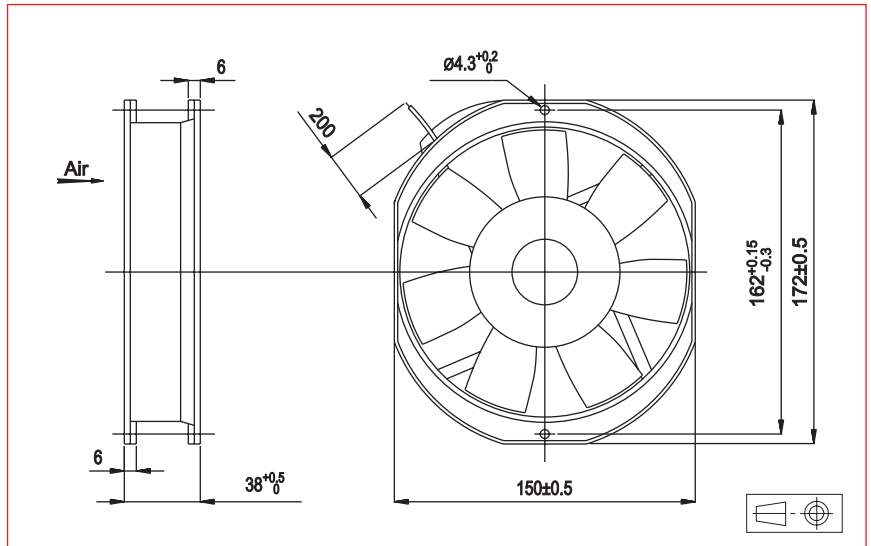


Approvals

NATO codification

Life expectancy

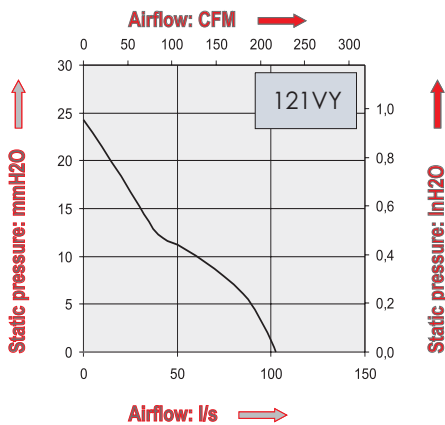
L-10 LIFE AT 40°C:
35 000 hours



400 Hz Motor

Housing material: aluminium
Impeller material: plastic UL 64 VO
Weight: 775 g
Bearing system: ball bearings

Connection: flying leads



Part Number	Nominal voltage	Airflow	Noise level	Nominal speed	Phases	Capacitor (not included)	Input power	Nominal Current	Starting Current	Operating temperature	
	V	l/s	dB(A)	RPM		µF	W	mA	mA	Min.°C	Max.°C
121VY0162001	115	103	62	3750	1	0,32	39	410	550	-10	70
121VY0160001	200	103	62	3750	1	0,1	39	345	490	-10	70

Additional versions:
Salt spray protected - Shock and vibration protected - Marine specifications
Wide temperature range

Accessories:
Refer to Accessories leaflet

