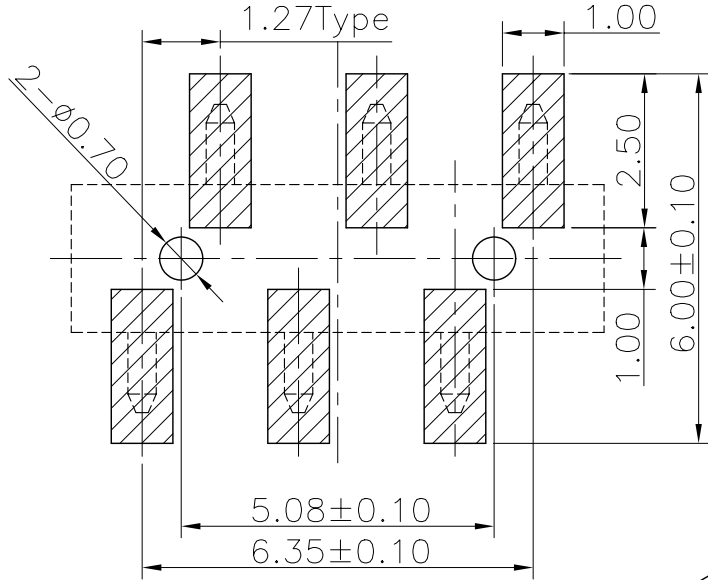
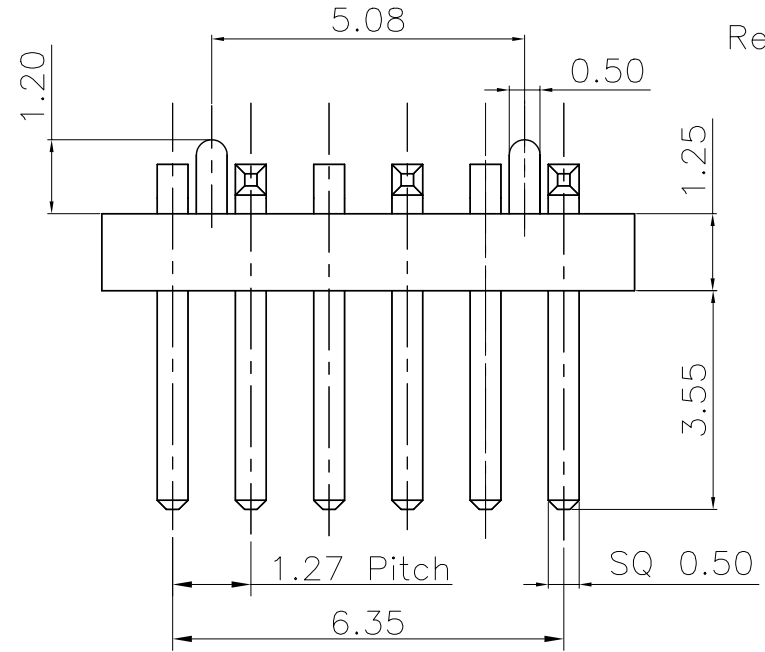
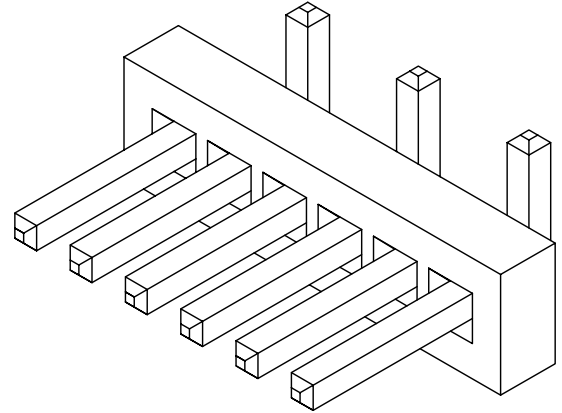
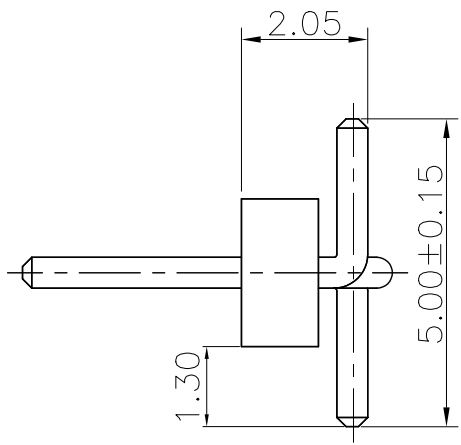
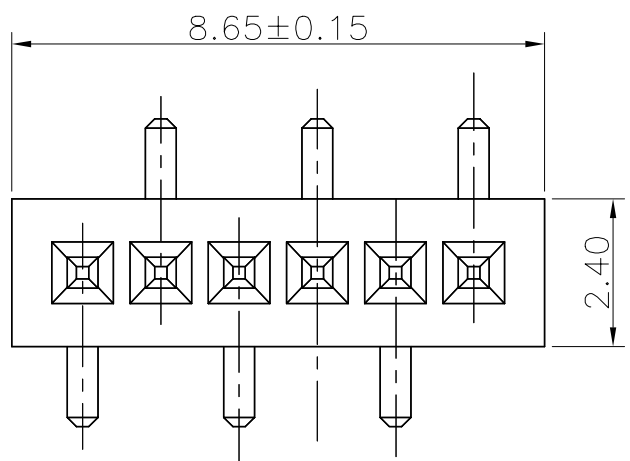


Recommended P.C.B. Layout (Component Side)



NOTE:
127048MA006G□00ZO
1

1. Plating
'G1,-05u" gold over nickel.
'G2,-Indicate gold flash.
'G3,-10u" gold over nickel.
'G4,-15u" gold over nickel.
'G5,-30u" gold over nickel.



2	TERMINAL	Brass	—	GOLD WATER FLASH
1	HOUSING	High Temp	BLACK	UL 94V-0
NO.	DESCRIPTION	MATERIAL	COLOR	REMARK

SUYIN
CONNECTOR

CUSTOMER COPY TITLE: 1.27mm PITCH PIN HEADER

PART NO.	127048MA006GX00ZO
PART NO. (OLD)	_____
DRAWING NO.	D ING 127048MA006GX00ZO
SCALE	8:1
UNIT	mm
A4	⊕

ECN (DCN) NO.	0	REV	DATE	DESCRIPTION	CHANGE	APPRO.	GENERAL TOLERANCE UNLESS OTHERWISE NOTED	Angle	±2°	DRAW	APPRO.
				NEW	—	—		30 ~	±0.50	DESIGN	
								10 ~ 30	±0.30	CHECK	
								~ 10	±0.15	APPRO.	