



Data Sheet



Product Category: RF SAW Filter

Part Number	Package	Application	Last Modified
802-RF1960.0M-A	3.0 x 3.0 SMD	WCDMA System	Nov. 07 2003

TYPE :
1960.0 MHz RF SAW Filter

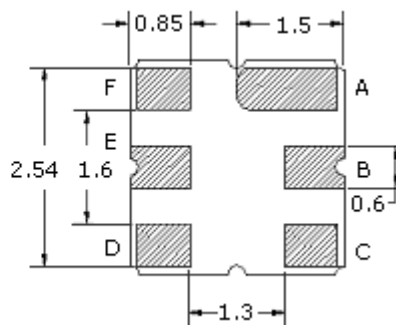
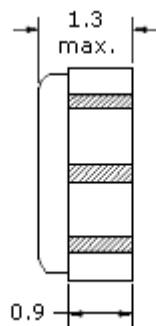
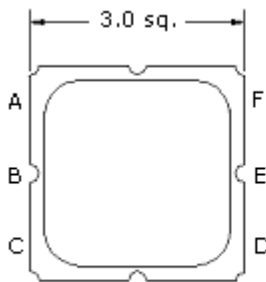


PART NUMBER :
802-RF1960.0M-A

OPERATING CONDITIONS / ELECTRICAL CHARACTERISTICS

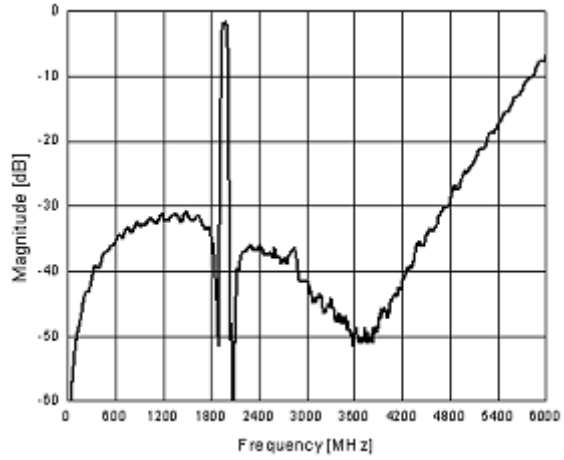
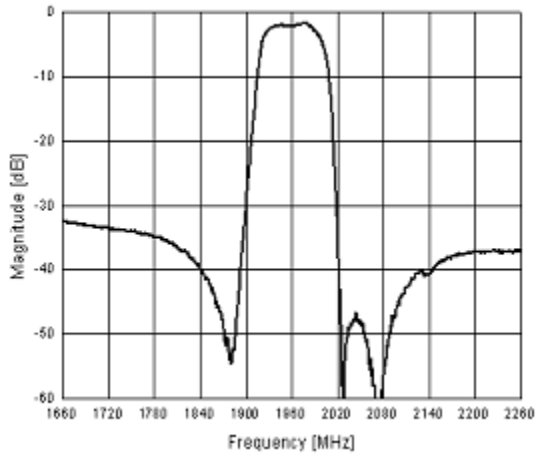
PARAMETERS	Condition	Minimum	Typical	Maximum	Units
Center Frequency	-	-	1960.0	-	MHz
Insertion Loss	1930 ~ 1990 MHz	-	2.4	3.5	dB
DC Voltage	-	-	-	7.5	V
Input Power	-	-	-	15	dBm
Operating Temperature	-	-30	-	+85	°C
Storage Temperature	-	-40	-	+85	°C
Ripple	1930 ~ 1990 MHz	-	1.0	2.0	dB
Stopband Attenuation	DC ~ 1850 MHz	20.0	32.0	-	dB
	1850 ~ 1910 MHz	10.0	21.0	-	
	2030 ~ 2080 MHz	35.0	45.0	-	
	2110 ~ 2170 MHz	28.0	37.0	-	
	2170 ~ 2550 MHz	25.0	34.0	-	
VSWR	1930 ~ 1990 MHz	-	1.7	2.5	-
Terminating Impedance	-	-	50	-	ohm

* Maximum Rating (Ta=25°C)
** Custom SAW RF Filters available. Contact Oscilent for assistance.

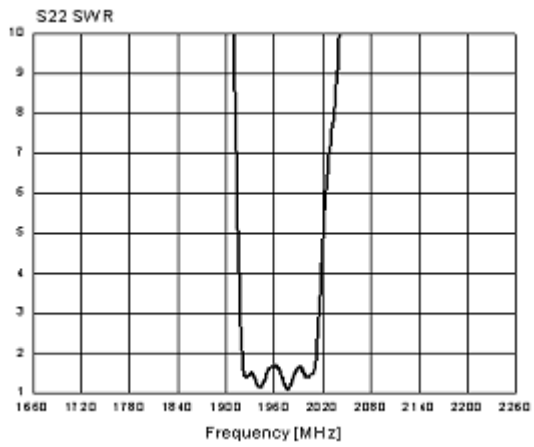
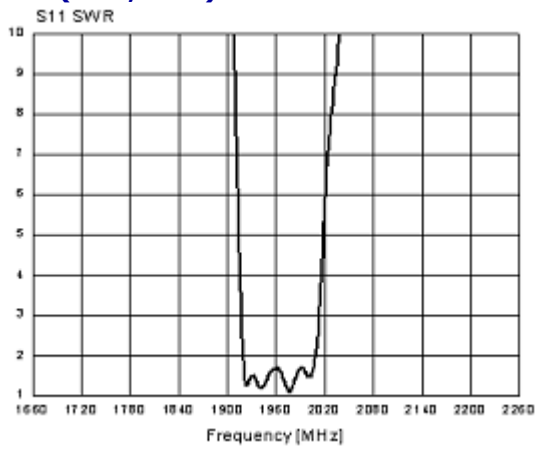


Pin Layout	
A	Ground
B	Output
C	Ground
D	Ground
E	Input
F	Ground

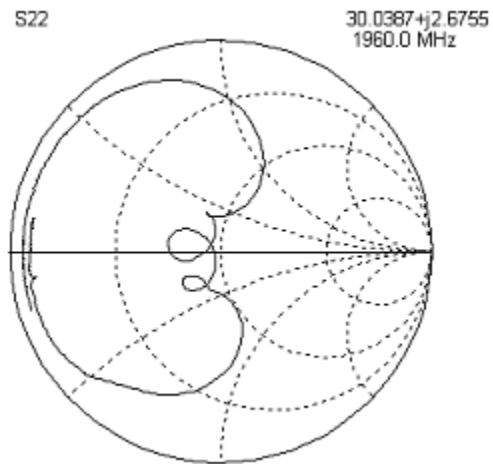
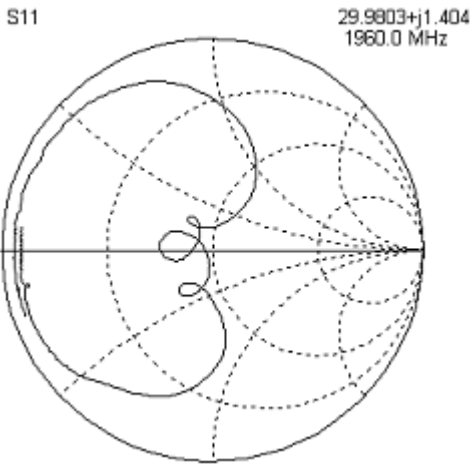
Frequency Reponse



VSWR (S11, S22)



Smith Chart



Oscilent Corporation - CALL **949.252.0522**
 18195 East McDermott Street . Building D . Irvine . CA 92614 . USA
 Fax: 949.252.0599 . E-Mail: Sales@Oscilent.com

Part No.: 802-RF1960.0M-A