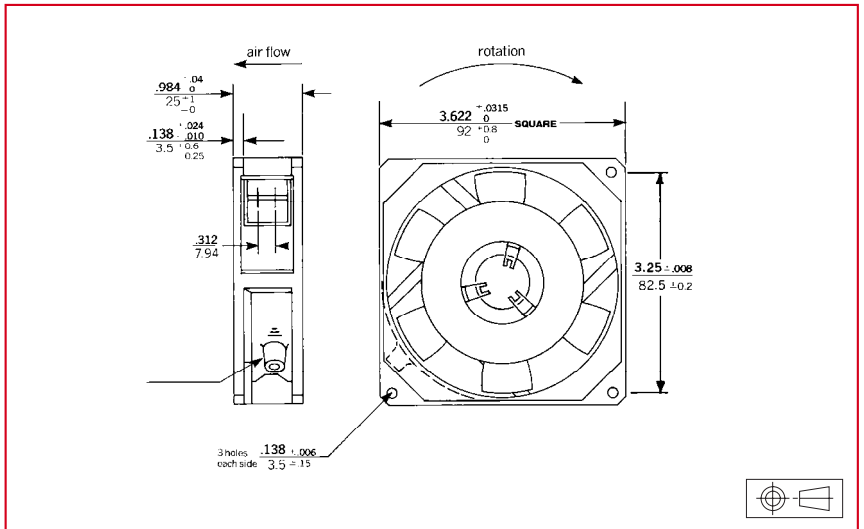


AC Axial Fans



Approvals



GAMT 1 listed

Life expectancy

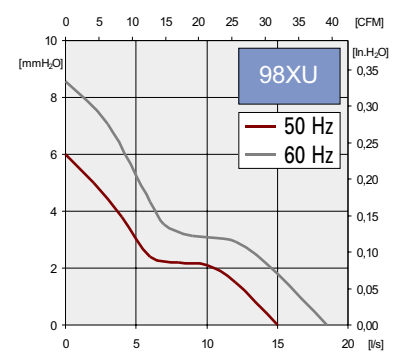
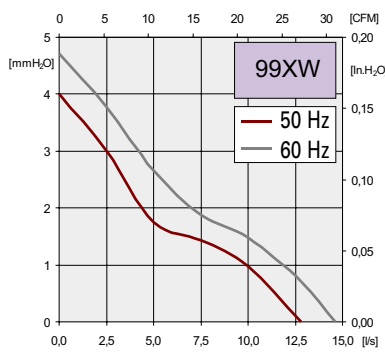
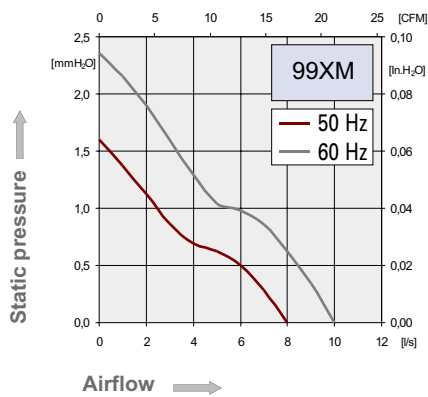
L-10 LIFE AT 40°C:
80 000 hours (ball bearings)
50 000 hours (sleeve bearings)

AC Motor

Electrical protection: impedance protected
Housing material: zamak
Impeller material: plastic UL 94 VO
Weight: 0,395 kg

Available with:

- flying leads
- speed sensor



Part number	Nominal voltage	Airflow	Noise level	Nominal speed	Frequency	Phases	Capacitor	Input power	Nominal current	Starting current	Bearing system		Connection type		Operating temperature	
	V	l/s	dB(A)	RPM	Hz		µF	W	mA	mA	Ball	Sleeve	Leads	Terminals	Min. °C	Max. °C
99XM0182000	115	8	21	1500	50	1		7	75	80	X			X	-10	70
		10	25,5	1800	60	1		6	65	70	X			X	-10	70
99XM0181000	208-240	8	21	1500	50	1		8	40	45	X			X	-10	70
		10	25,5	1800	60	1		7	35	40	X			X	-10	70
99XM2182000	115	8	20	1500	50	1		7	75	80		X		X	-10	55
		10	25	1800	60	1		6	65	70		X		X	-10	55
99XM2181000	208-240	8	20	1500	50	1		8	40	45		X		X	-10	55
		10	25	1800	60	1		7	35	40		X		X	-10	55
99XW0182000	115	12	32	2200	50	1		8	85	100	X			X	-10	70
		14	35,5	2500	60	1		6	70	90	X			X	-10	70
99XW0181000	208-240	12	32	2200	50	1		9	50	60	X			X	-10	70
		14	35,5	2500	60	1		7	40	50	X			X	-10	70
99XU0182000	115	15	38	2700	50	1		12	135	200	X			X	-10	70
		18,5	42	3200	60	1		9	105	190	X			X	-10	70
		18,5	42	3200	60	1		11	60	90	X			X	-10	70
99XU0181000	208-240	15	38	2700	50	1		14	70	100	X			X	-10	70
		15	38	2700	50	1		14	70	100	X			X	-10	70
		18,5	42	3200	60	1		11	60	90	X			X	-10	70

* 99XW & 99XU also available with sleeve bearings: P/N: 99XW2182000 (115V); 99XW2181000 (208-240V); 99XU2182000 (115V); 99XU2181000(208-240V)

Additional versions:

Salt spray protected; shock and vibration protected
Marine specifications; wide temperature range

Accessories:

- Plastic finger guards P/N : PFG-92 and 91-53
- Plastic filter P/N : F90/T102

- Rubber mounts P/N : AM-10
- Metal finger guard P/N : 9901-43
- Metal mesh filter P/N : 90-G