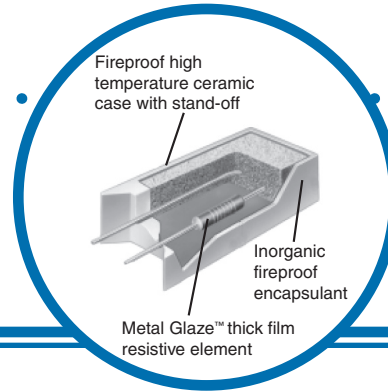


General Purpose Power Metal Glaze™ Resistor



PWRG Series

- 3 and 5 watts
- 1Ω to 1MΩ range
- TC's from +100 ppm/°C
- Radial leads for PC mount

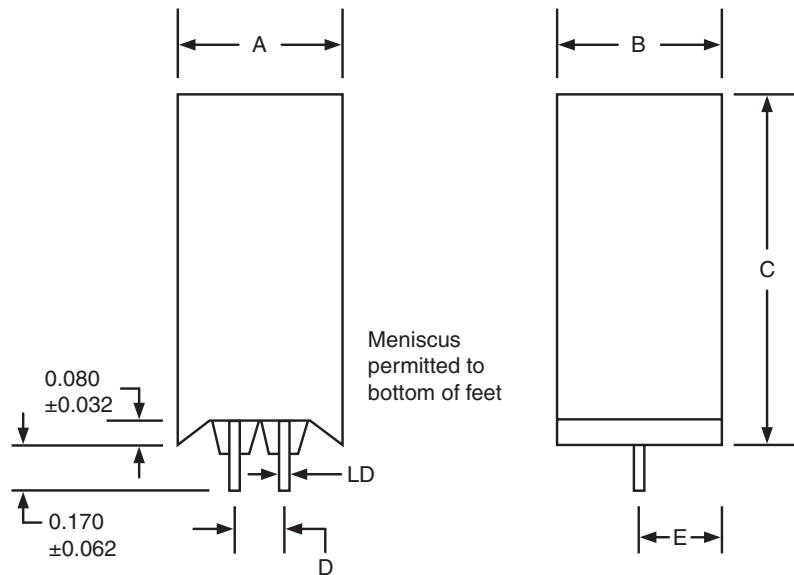


Specifications

- Power Rating: 3 and 5 watts
- Resistance Range: 1Ω to 1MΩ

- Tolerance: ±1%, ±2%, ±5%, and ±10%,
- Flameproof inorganic construction

Physical Data



Dimensions (Inches and (mm))

IRC Type	A	B	C	D	E	LD
PWRG-3	0.475 ±0.030 (12.0 ±0.8)	0.320 ±0.030 (8.1 ±0.8)	1.00 ±0.030 (25.4 ±0.8)	0.200 ±0.062 (5.08 ±1.6)	0.175 ±0.062 (4.44 ±1.6)	0.032 ±0.002 (1.02 ±0.05)
PWRG-5	0.500 ±0.030 (12.7 ±0.8)	0.350 ±0.030 (8.8 ±0.8)	1.00 ±0.030 (25.4 ±0.8)	0.200 ±0.062 (5.08 ±1.6)	0.175 ±0.062 (4.44 ±1.6)	0.032 ±0.002 (1.02 ±0.05)

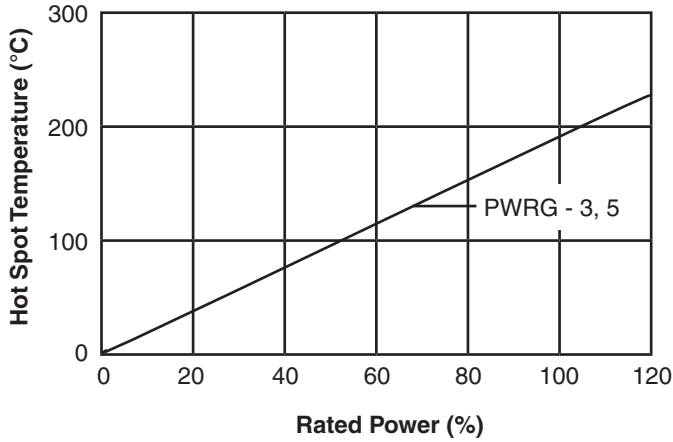
General Note

IRC reserves the right to make changes in product specification without notice or liability. All information is subject to IRC's own data and is considered accurate at time of going to print.

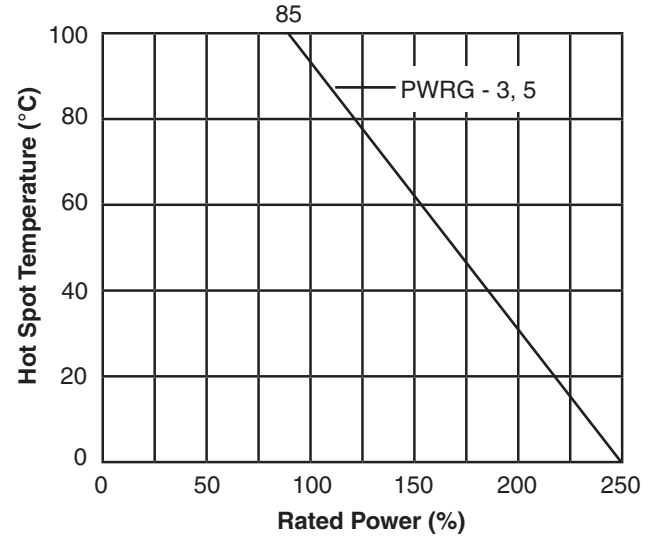
General Purpose Power Metal Glaze™ Resistor



Temperature Rise Chart



Power Derating Curve



Ordering Data

