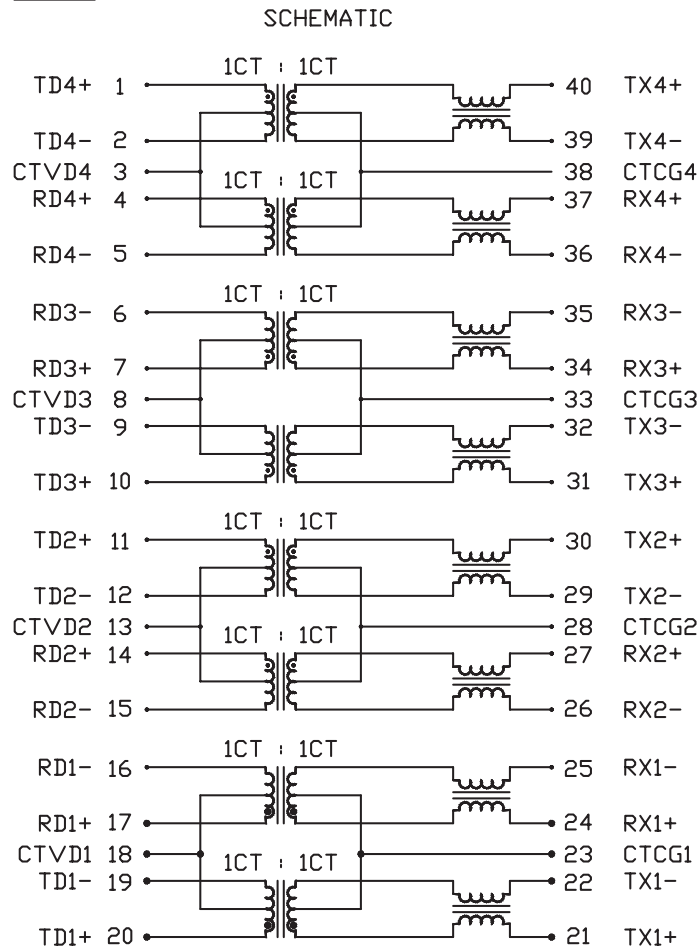


10/100BASE-T LAN MAGNETICS

S558-5999-Q9-F Transformer Module for Auto MDIX



ELECTRICAL CHARACTERISTICS @ 25°C



URNS RATIO

Tx SIDE: 1CT : 1CT
 Rx SIDE: 1CT : 1CT

POLARITY :

Rx 4°&37°, 7°&34°, 14°&27°, 17°&24°
 Tx 1°&40°, 10°&31°, 11°&30°, 20°&21°
 IN PHASE

CL

350µH MIN. @ 100kHz, 100mV
 WITH 8mA D.C. BIAS.

INSERTION LOSS

@ 100kHz - 80MHz 1.0 dB MAX

RETURN LOSS

MEASURED UNDER A
 100 Ω ENVIRONMENT

@ 0.1MHz - 30MHz 18 dB MIN.
 @ 30MHz - 60MHz 18-20 LOG(F/30MHz)
 @ 60MHz - 80MHz 12 dB MIN.

**COMMON TO DIFFERENTIAL
 MODE REJECTION**

@ 0.1MHz TO 100MHz 40 dB MIN.

**COMMON TO COMMON
 MODE REJECTION**

@ 0.1MHz TO 100MHz 35 dB MIN.
 @ 100MHz TO 500MHz 20 dB MIN.

CROSSTALK

@ 0.1MHz TO 100MHz 32 dB MIN.

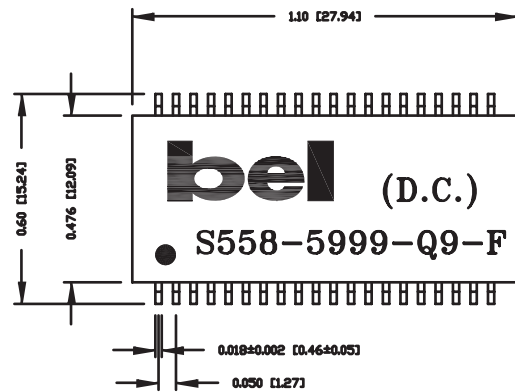
HIPOT

1500 Vrms

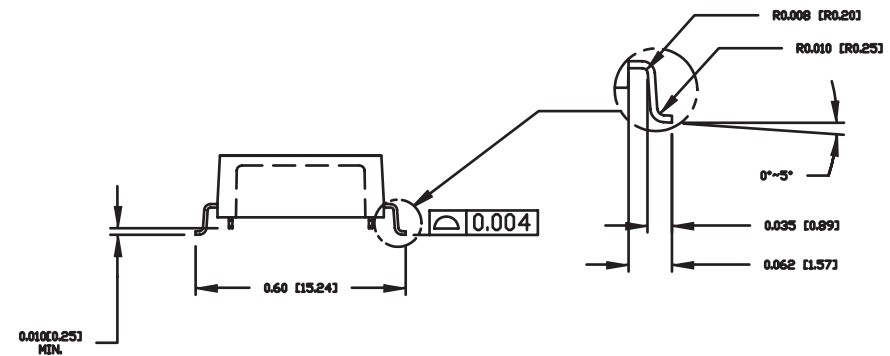
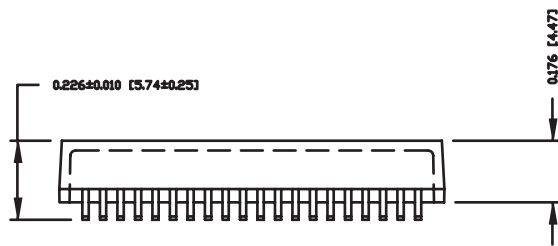
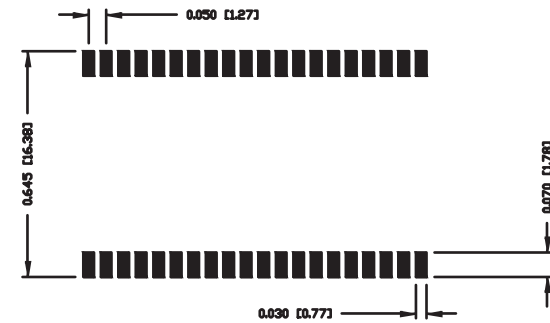
Meets all IEEE 802.3 standards including 350µH with 8mA DC bias

10/100BASE-T LAN MAGNETICS

S558-5999-Q9-F Transformer Module for Auto MDIX



SUGGESTED PCB PAD LAYOUT



NOTES:

1. STANDARD MARKING REFER TO DOC. HAND-WORK-04.
2. PACKAGE CODE: "RRS001".