



SW12430W(12V110Ah)



Specifications

Nominal Voltage	12 V	
CAPACITY(15 minutes rate to 1.67V/cell)	430W	
Rated capacity (10 hour rate)	110Ah	
Dimensions	Total Height	219 mm (8.63 inches)
	Height	214 mm (8.43 inches)
	Length	330 mm (13.0 inches)
	Width	172 mm (6.78 inches)
Weight Approx	34 Kg (72.8 lbs)	

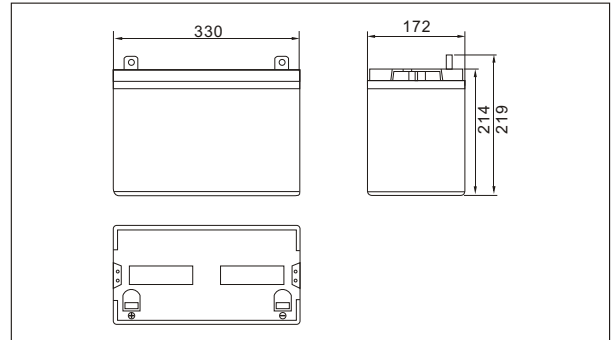
Characteristics

Capacity 25°C(77°F)	30min rate	1555W
	15min rate	2580W
	5min rate	4553W
Internal Resistance	Full charged Battery at 25°C(77°F)	3.0 mΩ
Capacity affected by Temperature (20hour rate)	40°C(104°F)	102%
	25°C(77°F)	100%
	0°C(32°F)	85%
	-15°C(5°F)	65%
Self-Discharge at 25°C(77°F)	Capacity after 3 month storage	91%
	Capacity after 6 month storage	82%
	Capacity after 12 month storage	64%
Terminal	T10、T16	
Charge (constant Voltage)	Cycle	Initial Charging Current less than 22A Voltage 14.10-14.40V
	Float	Voltage 13.50-13.80V

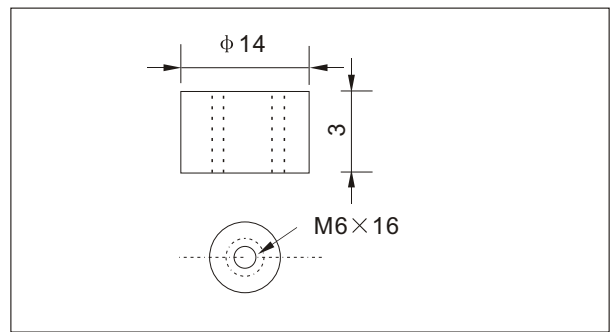
Constant power discharge :watts(25°C, 77°F)

	5min	10min	15min	20min	30min	45min	60min	90min
9.60V	4553	3406	2639	2175	1622	1194	936	696
10.02V	4358	3295	2580	2138	1585	1150	914	672
10.2V	4164	3170	2521	2086	1555	1135	892	649
10.5V	3973	3096	2455	2049	1526	1098	855	618
10.8V	3779	2772	2175	1902	1356	980	774	594
11.1V	3365	2477	1976	1754	1261	921	728	565

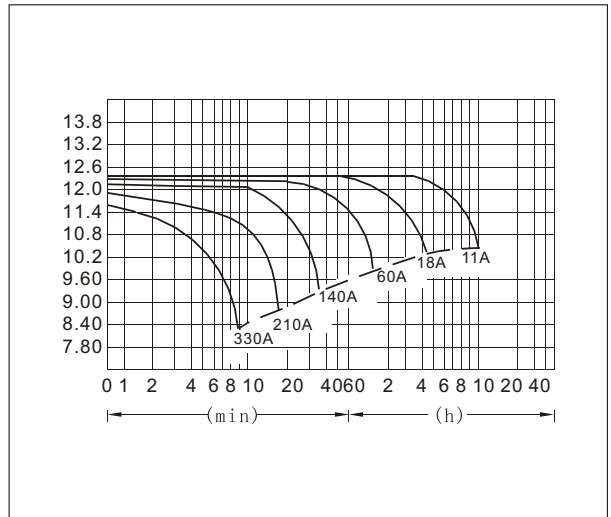
Outer dimensions (mm)



Terminal Type (mm)



Discharge Curves 25°C(77°F)



Constant current discharge unit:A(25°C, 77°F)

	5min	15min	30min	45min	60min	90min	5h	10h
9.60V	407.6	235.1	143.9	105.2	82.1	60.9	18.1	11.8
10.02V	386.0	225.8	138.0	99.8	78.5	57.8	17.9	11.6
10.2V	359.0	217.6	133.3	97.6	75.9	55.3	17.8	11.3
10.5V	332.0	203.5	124.0	89.6	69.2	51.9	17.6	11.0
10.8V	316.5	180.1	112.1	80.9	63.7	48.7	17.4	10.7
11.1V	277.9	164.9	104.6	75.9	59.8	46.2	17.0	10.4