



TAI-SAW TECHNOLOGY CO., LTD.

No. 3, Industrial 2nd Rd., Ping-Chen Industrial District,
Taoyuan, 324, Taiwan, R.O.C.

TEL: 886-3-4690038 FAX: 886-3-4697532

E-mail: tstsales@mail.taisaw.com Web: www.taisaw.com

Approval Sheet For Product Specification

Issued Date:

Product Name: SAW IF Filter 36.125MHz for Digital Cable TV

TST Parts No.: TB0645A

Customer Parts No.: _____

Company: _____
Division: _____
Approved by : _____
Date: _____

Checked by: _____ Kazuma lee

Approval by: _____ Francis Chen

Date: _____ 2008/12/15



TAI-SAW TECHNOLOGY CO., LTD.

No.3, Industrial 2nd Rd., Ping-Chen Industrial District, Taoyuan, Taiwan, R.O.C.

TEL : 886-3-4690038 FAX : 886-3-4697532

E-mail : tstsales@ms52.hinet.net Web: www.taisaw.com

IF SAW Filter 36.125 MHz

MODEL NO.: TB0645A

REV. NO.:3

A. FEATURES:

1. IF Filter for Digital TV

B. MAXIMUM RATING:

1. DC voltage: 12 V.

2. AC voltage: 10 V.

3. Storage Temperature: -40°C to +85 °C.

4. Operating Temperature: -25 °C to +65 °C

RoHS Compliant

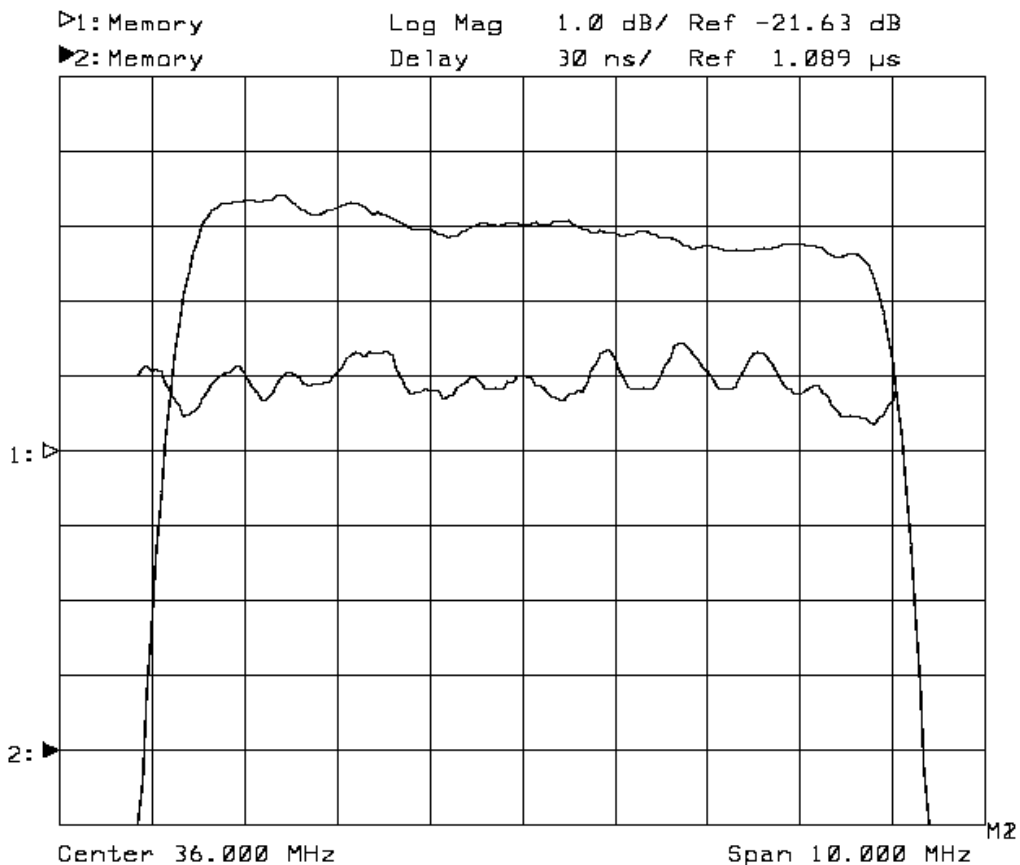
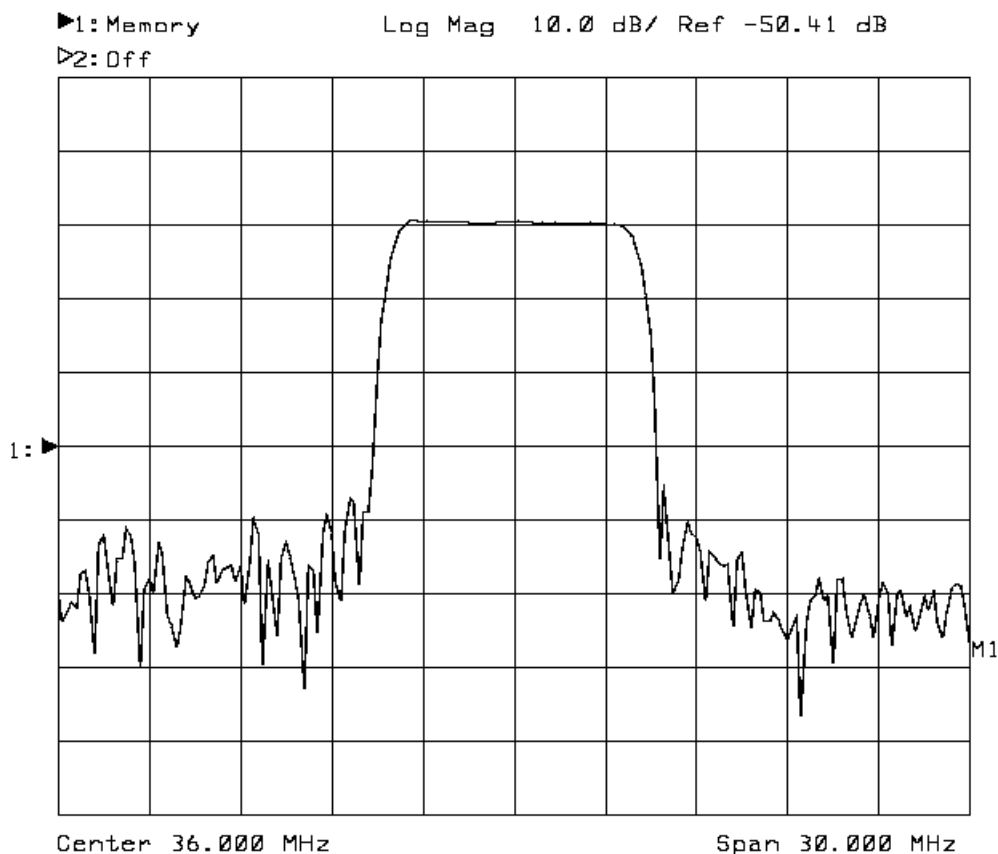
Lead-free soldering

C. ELECTRICAL CHARACTERISTICS:

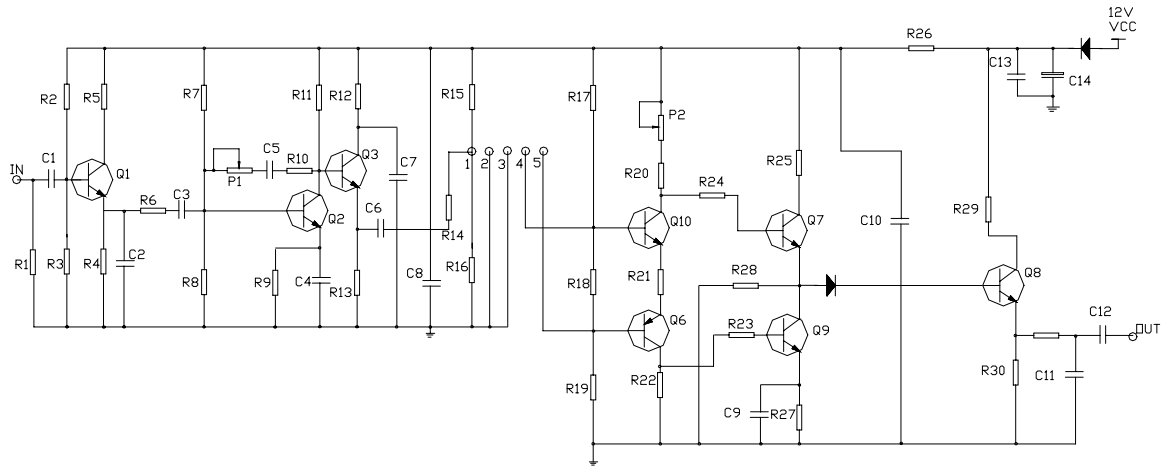
	MIN.	TYP.	MAX.	
Center frequency f_c Center frequency between 3dB point	36.05	36.125	36.20	MHz
Insertion attenuation Reference level for the Following data 36.125 MHz	17.8	20.3	22.8	dB
Amplitude ripple 32.65-39.60 MHz	-	0.5	1.0	dB
3dB Pass Bandwidth	7.6	8.0	8.4	MHz
30dB Pass Bandwidth	9.0	9.4	9.8	MHz
31.25 MHz	35.0	40.0	-	dB
32.13 MHz	1.6	3.1	4.6	dB
32.32 MHz	-0.5	1.0	2.5	dB
39.93 MHz	0.5	2.0	3.5	dB
40.13 MHz	2.7	4.2	5.7	dB
47.25 MHz	42.0	47.0	-	dB
Lower side lobe 25.00 to 29.50 MHz	36.0	42.0	-	dB
29.50 to 31.25 MHz	32.0	38.0	-	dB
Upper side lobe 40.90 to 43.50 MHz	32.0	38.0	-	dB
43.50 to 50.00 MHz	36.0	44.0	-	dB
Reflected Wave Signal Suppression	42.0	52.0		dB
Feed through Signal Suppression	50.0	56.0		dB
Group delay ripple 32.13 ... 40.13 MHz	-	-40	-	ns
Impedance at 36.125 MHz Input Impedance	-	3.9 14.1	-	K Ω pF
Output Impedance		2.4 4.4		K Ω pF
Temperature Coefficient of frequency	-	-72.0	-	ppm/K

TST DCC
Release document

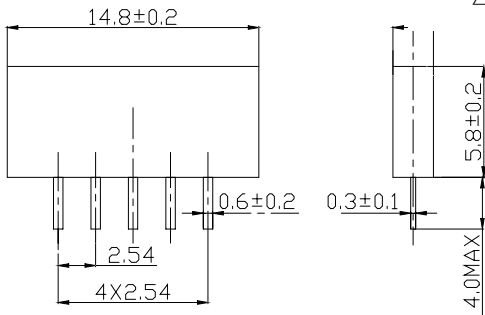
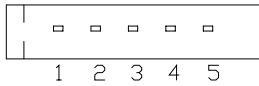
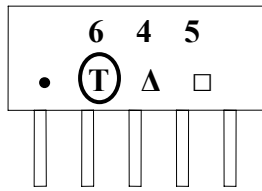
D.FREQUENCY CHARACTERISTICS:



E. TEST CIRCUIT



E. Outline Drawing:



Pin No. Functions

1. Input
2. input - ground
3. Chip carrier - ground
4. Output
5. Output

□ : Week Code (Follow the table from planner each year)

△ : Product / Year Code

Year	2005 2009	2006 2010	2007 2011	2008 2012
Product Code	B	b	<u>B</u>	<u>b</u>