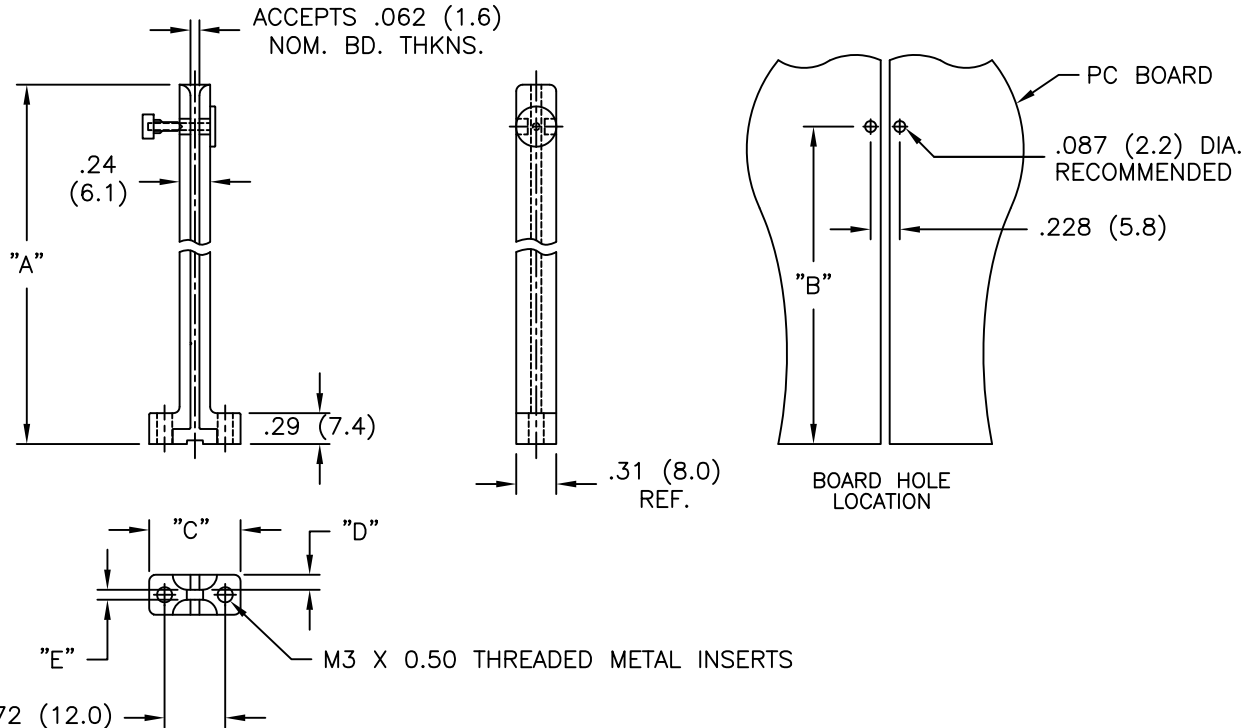


PART NO.	"A"	"B"	"C"	"D"	"E"
VMCG-50-MPBK-K	1.83 (46.5)	1.67 (42.3)	.71 (18)	.104 (2.6)	.105 (2.7)
VMCG-65-MPBK-K	2.56 (65.0)	2.22 (56.5)			
VMCG-90-MPBK-K	3.54 (90.0)	3.21 (81.5)	.75 (19)	.118 (3.0)	.079 (2.0)
VMCG-135-MPBK-K	5.31 (135.0)	4.98 (126.5)			
VMCG-160-MPBK-K	6.30 (160.0)	4.43 (112.5)	.71 (18)		
VMCG-330-MPBK-K	4.73 (120.1)	4.43 (112.5)			



NOTES:

- MATERIAL: NYLON 6, GLASS FILLED, (RMS-38)  
-FLAME RETARDANT NYLON 6 UL 94 V-0,  
30% GLASS FILLED (RMS-371), AVAILABLE  
BY SPECIAL ORDER.  
TO ORDER US P/N: VMCG-XX-MPBK-FR-K
- COLOR: GRAY.
- COMPONENTS:
  - LOCKING BUTTON: HDPE (RMS-284)
  - SCREW: STAINLESS STEEL (RMS-228)
  - THREADED INSERT: BRASS (RMS-231)
  - WASHER: STAINLESS STEEL (RMS-228)

M	REMOVED .079 (2) DIM. SEE CO 200552	SK 07.07.10
L	ADDED "C" DIMENSION, SEE CO #200492	DZ 02.09.10
K	SEE CO 200084 FOR CHANGES	SK 12.06.07
J	SEE ECN #1356 FOR CHANGES	SK 08.22.07
I	SEE ECN #1285 FOR CHANGES	SK 02.12.07
H	SEE ECN #1146 FOR CHANGES	SJ 03.28.06
X	SEE ENGINEERING FOR REV. A~G	
REV	DESCRIPTION	ENGR DATE

TITLE: VERTICAL MOUNT CARD GUIDE, TYPE 1			DWG IN IN (MM)		
TOLERANCES UNLESS NOTED .XX=±.010 .XXX=±.005 FRAC=±1/64 ANG=±1°	FILE # VMCG-1	DWN: P.B.	DT: 03.23.94	FINAL	
	MAT'L: SEE NOTES	CHKD:	ENG:	PART #	PRINT TYPE
	RE: RICHCO, INC.	RICHCO INC. ENG@RICHCO-INC.COM (773) 539-4060		SEE TABLE	CA