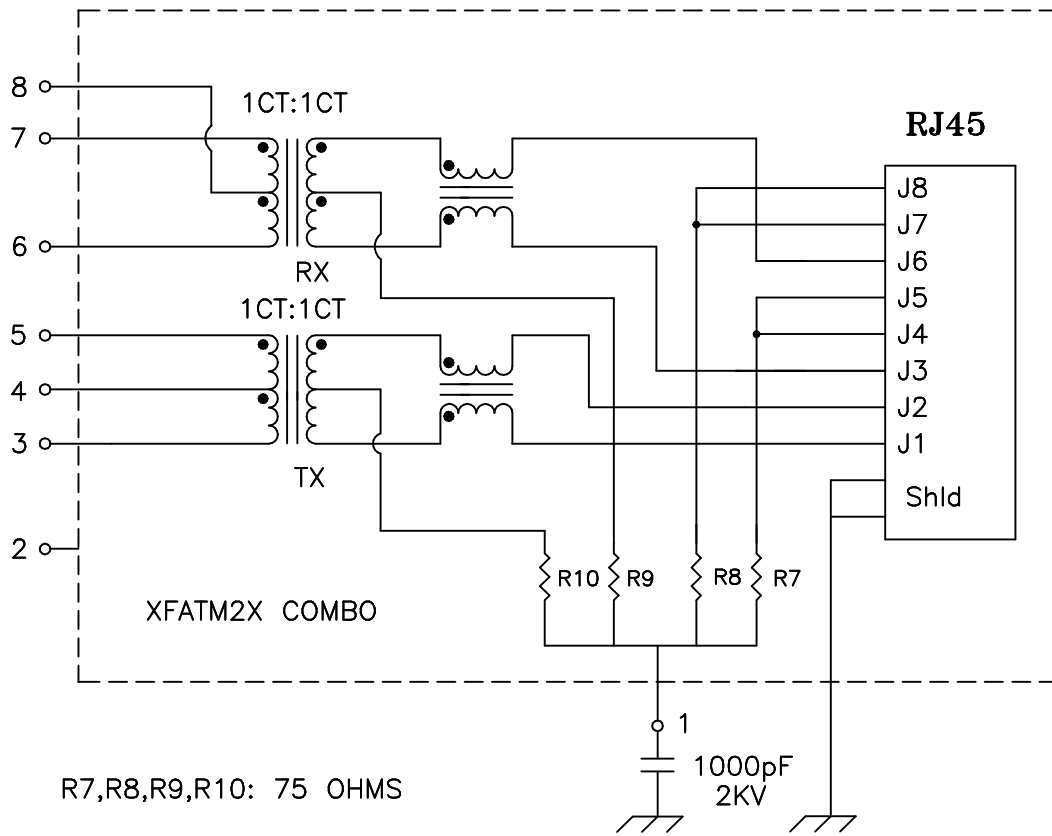


Schematic:



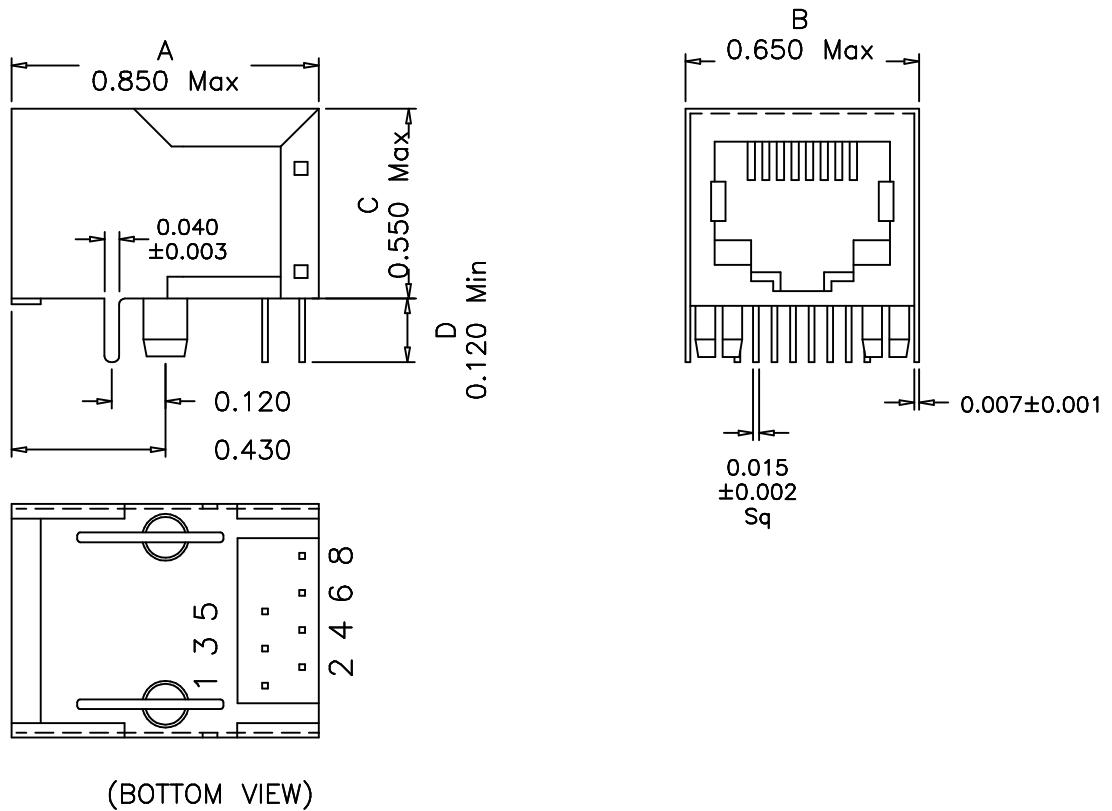
Electrical Specifications: @25°C

- UTP Impedance: 100 OHMS
- Turns Ratio: TX : 1CT:1CT (±2%) RX : 1CT:1CT (±2%)
- Isolation Voltage: 1500 VAC (Input to Output)
- Isolation Voltage: 500 VAC (3+4+5-6+7+8)
- UTP Side OCL: 350uH Minimum @100KHz,100mV 8mADC
- Insertion Loss (0.3-100MHz): -1.0dB Maximum
- Return Loss: @30MHz -20dB Typ
 @80MHz -15dB Typ
- Rise Time (10-90%): 2nS Typical
- CMRR (03-100MHz): -30dB Typical
- Crosstalk Attenuation (1MHz-100MHz): -30dB Minimum

XFMRs Inc.	Title: SINGLE PORT COMBO		
	UNLESS OTHERWISE SPECIFIED		P/N: XFATM2X-COMBO1-2S REV. A
	TOLERANCES:		DWN. BW May-22-01
	.xxx ±0.010		CHK. Joe Huff May-22-01
Dimensions in Inch		APP. Isaiah M May-22-01	
SHEET 1 OF 2			

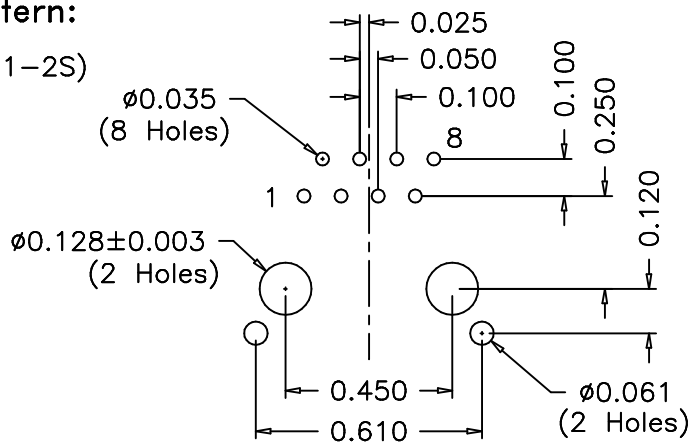
Mechanical Dimensions:

XFMRs
 XFATM2X-
 COMBO1-2S
 YYWW



Mounting Pattern:

(FOR COMBO1-2S)
 (COMP SIDE)



XFMRs Inc.	Title: Mechanical Dimensions For COMBO1-2S Series		
	UNLESS OTHERWISE SPECIFIED TOLERANCES: .xxx ±0.010 Dimensions in Inch	P/N: XFATM2X-COMBO1-2S	REV.A
DOC. REV A/1 SHEET 2 OF 2	DWN.	BW	May-22-01
	CHK.	Joe Huff	May-22-01
	APP.	Isaiah M	May-22-01