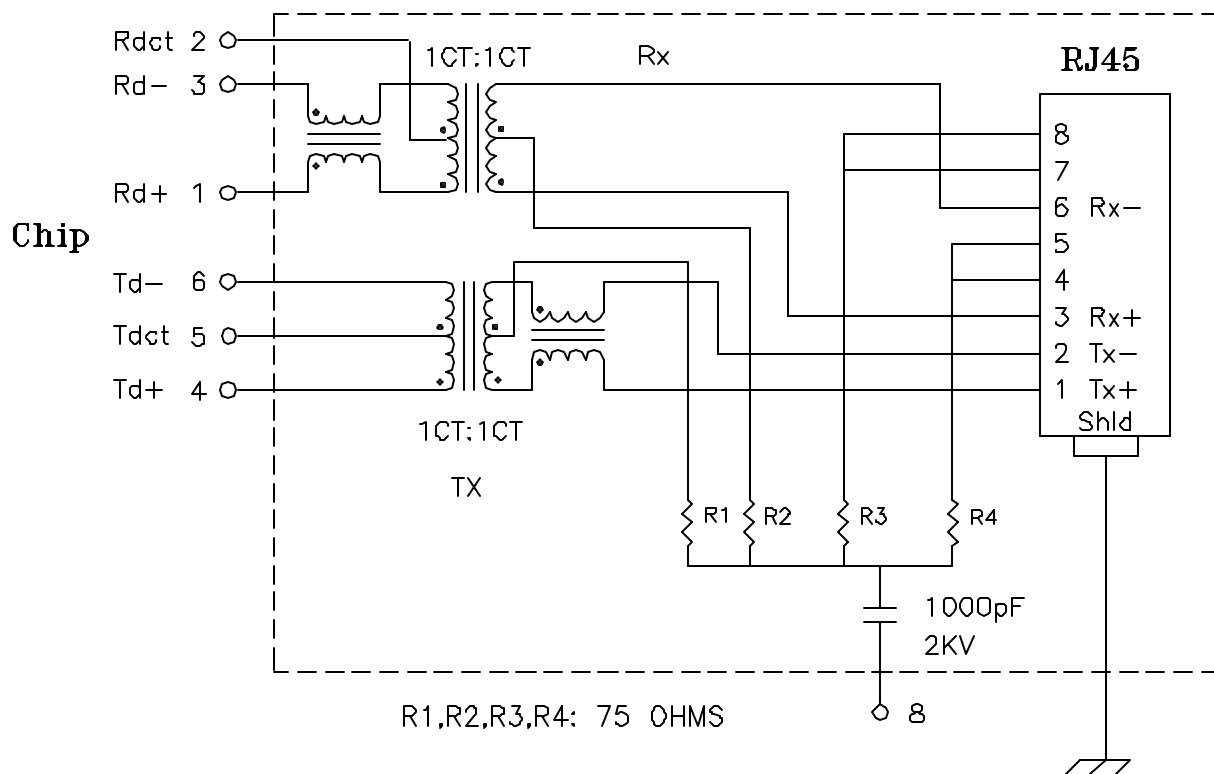


### Schematic:



### Electrical Specifications: @25°C

- UTP Impedance: 100 OHMS
- Turns Ratio: TX : 1CT:1CT (±2%)    RX : 1CT:1CT (±2%)
- Isolation Voltage: 1500 VAC (Input to Output)
- Isolation Voltage: 500 VAC (3+4+5-6+7+8)
- UTP Side OCL: 350uH Minimum @100KHz, 100mV 8mADC
- Insertion Loss (0.3-100MHz): -1.0dB Maximum
- Return Loss: @30MHz -20dB Typ
- @80MHz -15dB Typ

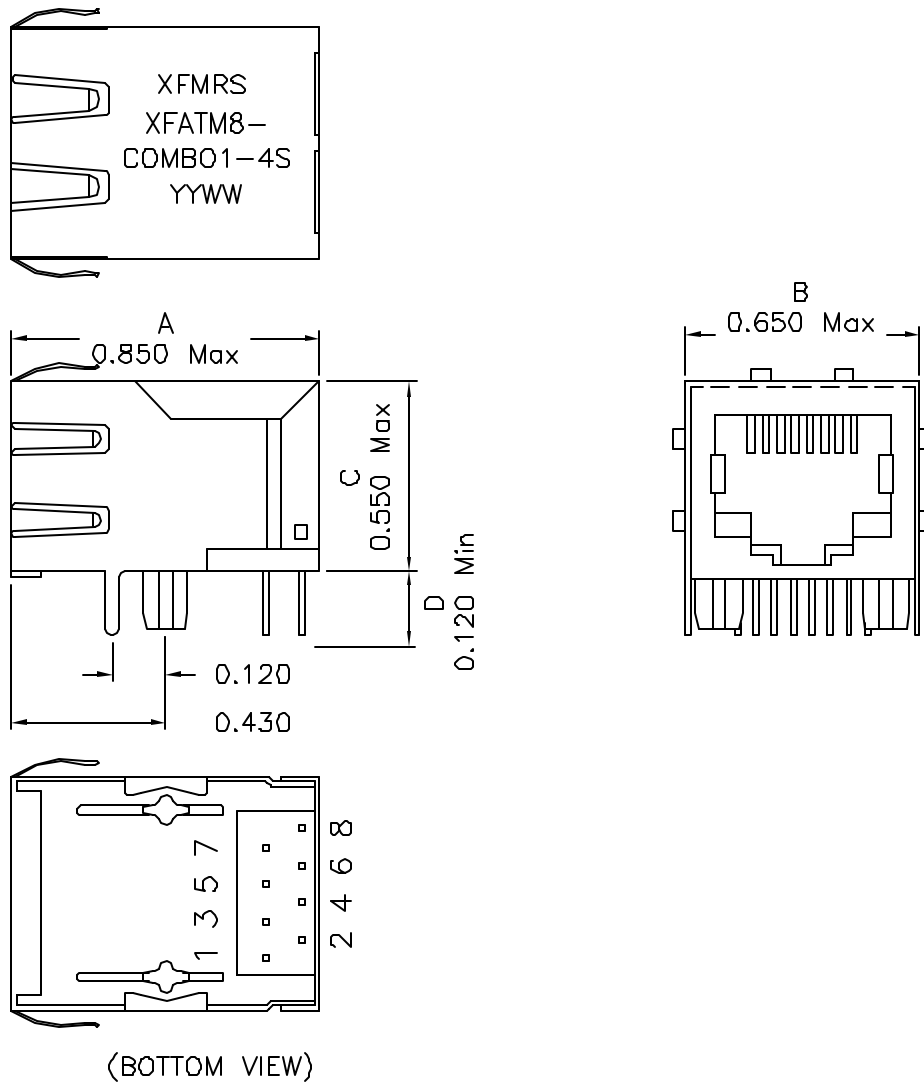
**Notes:**

1. Solderability: Leads shall meet MIL-STD-202, Method 208D for solderability.
2. Flammability: UL94V-D
3. ASTM oxygen index: > 28%
4. Insulation System: Class F 155°C, UL file E151556
5. Operating Temperature Range: -40°C to +85°C

DOC. REV: A/1

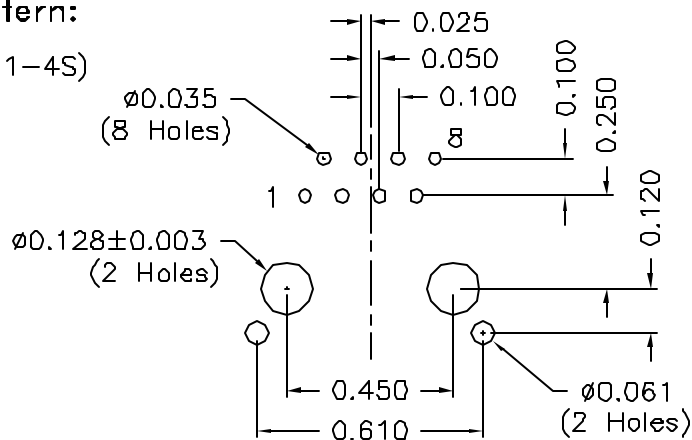
<b>XFMRs Inc.</b>	Title: <b>SINGLE PORT COMBO</b>		
	UNLESS OTHERWISE SPECIFIED TOLERANCES: .xxx ±0.010 Dimensions in Inch	P/N: XFATM8-COMBO1-4S	REV. A
	DWN.	李小锋	Jan-24-02
	CHK.	廖玉坤	Jan-24-02
SHEET 1 OF 2	APP.	BW	Jan-24-02

### Mechanical Dimensions:



### Mounting Pattern:

(FOR COMBO1-4S)  
(COMP SIDE)



DOC REV: A/1

<b>XFMR5 Inc.</b> UNLESS OTHERWISE SPECIFIED TOLERANCES: .xxx ±0.010 Dimensions in Inch	Title: Mechanical Dimensions For COMBO1-4S Series	
	P/N: XFATM8-COMBO1-4S	REV. A
	DWN.	李小锋
	CHK.	廖玉坤
SHEET 2 OF 2	APP.	BW
		Jan-24-02
		Jan-24-02
		Jan-24-02