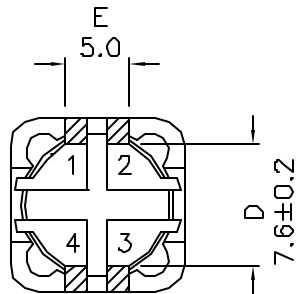
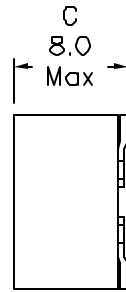
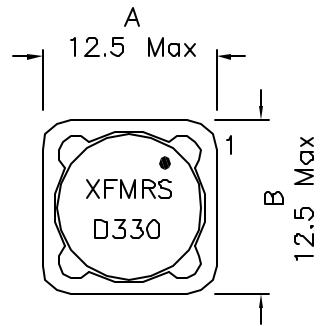
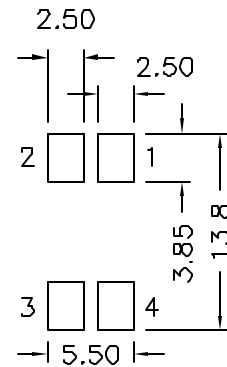


1. Mechanical Dimensions:

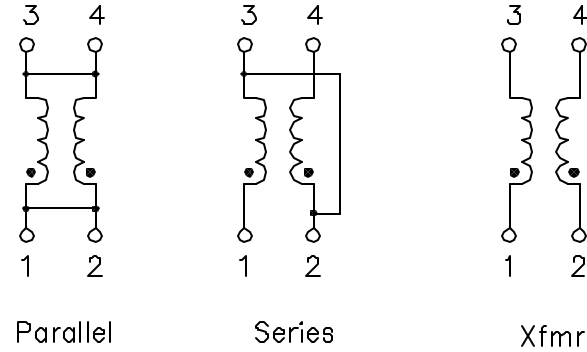


(BOTTOM VIEW)



(Suggested PCB Layout)

2. Schematic:



3. Electrical Specifications: @25°C

	Parallel	Series
OCL(NO DC):	33.92uH±20%	135.7uH±20% 100KHz, 0.25V
Irms:	3.23A	1.61A (40°C rise)
Isat:	6.22Adc	3.11Adc (30% L drop)
DC RES:	0.0600 Ohms	0.241 Ohms
V-uS:	31.5	63.0
Isolation:	500 Vrms	

Notes:

- Solderability: Leads shall meet MIL-STD-202G, Method 209H for solderability.
- Flammability: UL94V-0
- ASTM oxygen index: > 28%
- Insulation System: Class F 155°C. UL file E151556
- Operating Temperature Range: All listed parameters are to be within tolerance from -40°C to +125°C
- Storage Temperature Range: -55°C to +125°C
- Aqueous wash compatible
- SMD Lead Coplanarity: ±0.004*(0.102mm)
- Electrical and mechanical specifications 100% tested
- RoHS Compliant Component

DOC REV: A/2

PROPRIETARY Document is the property of XFMRS Group & is not allowed to be duplicated without authorization.

XFMRS Inc. www.XFMRS.com	Title: Shielded Dual Inductor		
	UNLESS OTHERWISE SPECIFIED	P/N: XFTPRH1207D-33Q	REV. A
TOLERANCES:	DWN.	廖玉坤	May-21-07
TYPICAL	CHK.	李清儿	May-21-07
Dimensions in MM	APP.	MS	May-21-07
SHEET 1 OF 1			