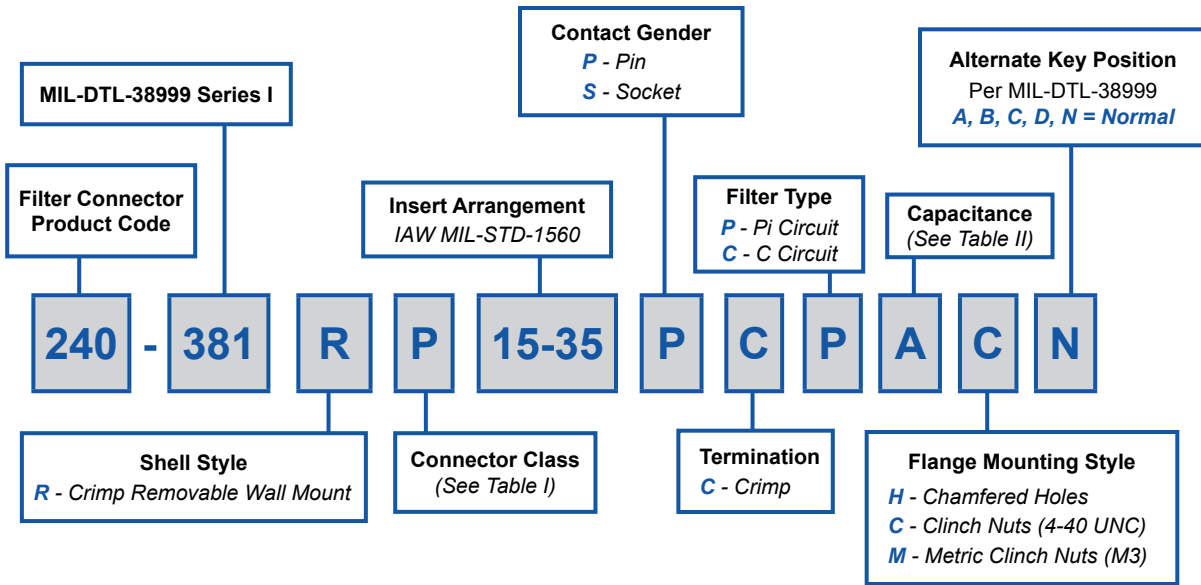


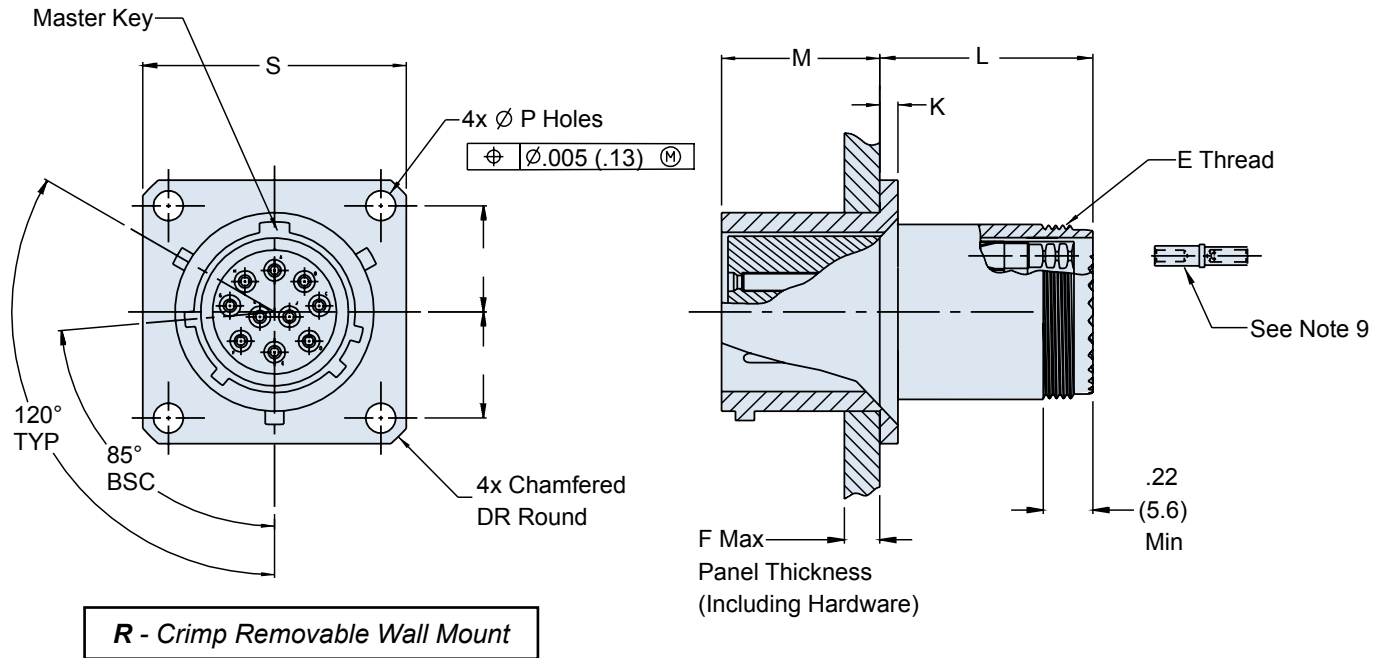


240-381R MIL-DTL-38999 Series I Type Filter Connector Wall Mount Receptacle with Crimp Removable Contacts

B



NOTE: Crimp removable contacts to conform to MIL-C-39029/57-358, Size 16, MIL-C-39029/57-357 Size 20, and MIL-C-39029/57-354 Size 22D (Supplied loose).



240-381R
MIL-DTL-38999 Series I Type Filter Connector
Wall Mount Receptacle
with Crimp Removable Contacts



MIL-DTL-38999
Connectors

B

MIL-DTL-38999 Series I Square Flange Panel Cutouts					
Shell Size Code	Shell Size	∅ K Min	∅ L Min	M Holes	N BSC
A	09	.656 (16.7)	.516 (13.1)	.133 (3.4) .123 (3.1)	.719 (18.3)
B	11	.796 (20.2)	.625 (15.9)	.133 (3.4) .123 (3.1)	.812 (20.6)
C	13	.922 (23.4)	.750 (19.1)	.133 (3.4) .123 (3.1)	.906 (23.0)
D	15	1.047 (26.6)	.906 (23.0)	.133 (3.4) .123 (3.1)	.969 (24.6)
E	17	1.219 (31.0)	1.016 (25.8)	.133 (3.4) .123 (3.1)	1.062 (27.0)
F	19	1.297 (32.9)	1.141 (29.0)	.133 (3.4) .123 (3.1)	1.156 (29.4)
G	21	1.422 (36.1)	1.266 (32.2)	.133 (3.4) .123 (3.1)	1.250 (31.8)
H	23	1.547 (39.3)	1.375 (34.9)	.159 (4.0) .149 (3.8)	1.375 (34.9)
J	25	1.672 (42.5)	1.484 (37.7)	.155 (3.9) .145 (3.7)	1.500 (38.1)

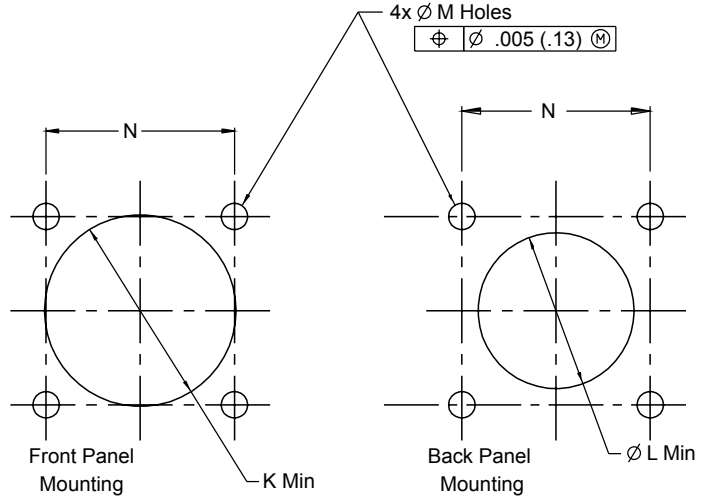


TABLE II: CAPACITOR ARRAY CODE CAPACITANCE RANGE		
CLASS	PI - CIRCUIT (pF)	C - CIRCUIT (pF)
X*	160,000 - 240,000	80,000 - 120,000
Y*	80,000 - 120,000	40,000 - 60,000
Z*	60,000 - 90,000	30,000 - 45,000
A	38,000 - 56,000	19,000 - 28,000
B	32,000 - 45,000	16,000 - 22,500
C	18,000 - 33,000	9,000 - 16,500
D	8,000 - 12,000	4,000 - 6,000
E	3,300 - 5,000	1,650 - 2,500
F	800 - 1,300	400 - 650
G	400 - 600	200 - 300

* Reduced DWV – Please consult factory.

TABLE I: CONNECTOR CLASS			
SYM	CLASS	MATERIAL	FINISH DESCRIPTION
M	Environmental	Aluminum	Electroless Nickel
MT	Environmental	Aluminum	Ni-PTFE 1000 Hour Grey™ Nickel Fluorocarbon Polymer
NF	Environmental	Aluminum	Cadmium O.D. Over Electroless Nickel
P	Environmental	Stainless Steel	Electro-Deposited Nickel
ZN	Environmental	Aluminum	Zinc-Nickel Over Electroless Nickel

DIMENSIONS								
SHELL SIZE	E THREADS	F MAX	K + .015 (.4) - .000 (0)	L MAX	M + .000 (0) - .005 (.13)	∅ P + .010 (.3) - .005 (.13)	R BSC	S +/- .020 (5.1)
9	.6875-24 UNEF-2A	.234 (5.9)	.085 (2.2)	1.170 (29.7)	.820 (20.8)	.128 (3.3)	.3595 (9.1)	.938 (23.8)
11	.8125-20 UNEF-2A	.234 (5.9)	.085 (2.2)	1.170 (29.7)	.820 (20.8)	.128 (3.3)	.406 (10.3)	1.031 (26.2)
13	.9375-20 UNEF-2A	.234 (5.9)	.085 (2.2)	1.170 (29.7)	.820 (20.8)	.128 (3.3)	.453 (11.5)	1.125 (28.6)
15	1.0625-18 UNEF-2A	.234 (5.9)	.085 (2.2)	1.170 (29.7)	.820 (20.8)	.128 (3.3)	.4845 (12.3)	1.219 (31.0)
17	1.1875-18 UNEF-2A	.234 (5.9)	.085 (2.2)	1.170 (29.7)	.820 (20.8)	.128 (3.3)	.531 (13.5)	1.312 (33.3)
19	1.3125-18 UNEF-2A	.234 (5.9)	.085 (2.2)	1.170 (29.7)	.820 (20.8)	.128 (3.3)	.578 (14.7)	1.438 (36.5)
21	1.4375-10 UNEF-2A	.204 (5.2)	.115 (2.9)	1.200 (30.48)	.820 (20.8)	.128 (3.3)	.625 (15.9)	1.562 (39.7)
23	1.5625-18 UNEF-2A	.204 (5.2)	.115 (2.9)	1.200 (30.48)	.790 (20.1)	.147 (3.7)	.6875 (17.5)	1.688 (42.9)
25	1.6875-18 UNEF-2A	.193 (4.9)	.115 (2.9)	1.200 (30.48)	.790 (20.1)	.147 (3.7)	.750 (19.1)	1.688 (42.9)