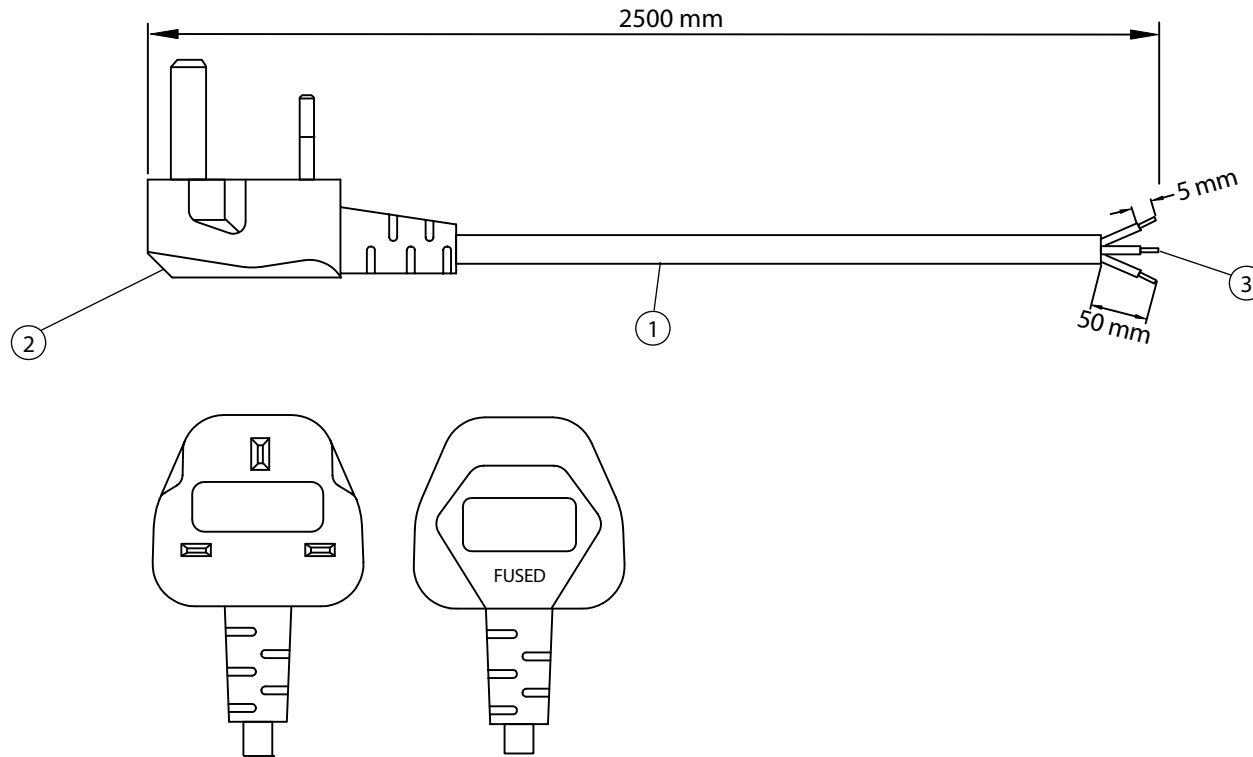


THESE DRAWINGS ARE THE PROPERTY OF QUALTEK ELECTRONICS AND NOT TO BE REPRODUCED FOR OR COMMUNICATED TO A THIRD PARTY WITHOUT THE EXPRESS WRITTEN PERMISSION OF AN OFFICER OF QUALTEK ELECTRONICS.

REVISION			
REV.	DESCRIPTION	DATE	APPROVED
B	RoHS Compliancy	06-01-06	DP
C	Notes Update	05-15-08	DP



NOTES:

1. CORDAGE: HO5VV-F, 3x0.75mm, UNSHIELDED
CEE COLOR CODE, TEMP. RATING 70°C,
RATING: 250V 6A, JACKET COLOR: BLACK
2. PLUG END: UNITED KINGDOM BS1363A WITH 13A FUSE
3. OTHER END: ROJ 50mm, STRIP 5mm
4. APPROVALS: UNITED KINGDOM, BSI
5. ROHS COMPLIANT

CONTROLLED

Dim range (mm)		Tolerance +/- (mm)		Qualtek Electronics Corp. PPC DIVISION		
				Part Number: 369002-E01		RoHS Compliant
0-1		0.15		Description: POWER CORD		
1-6		0.20				
6-18		0.30				
18-50		0.50		UNIT: mm		REV. C
50-120		0.70		Drawn / Date	Checked / Date	Approved / Date
120-250		0.90		02-06-92	02-06-92	JJH / 02-06-92
250-500		1.20				