

**RFI/EMI Backshell for
MIL-C-81659 Connectors
507-117**

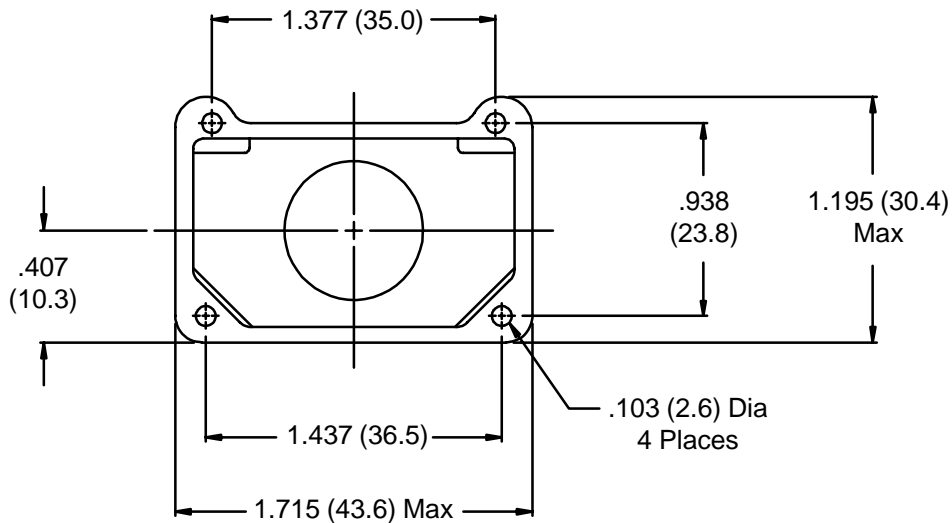
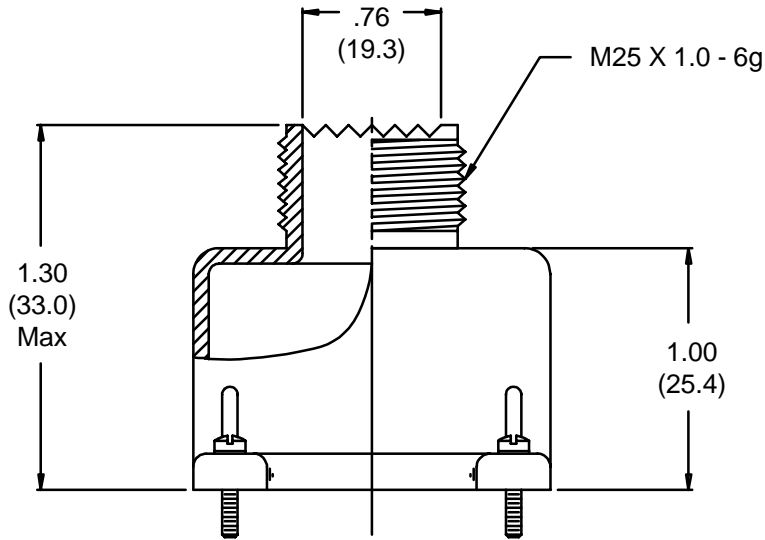


MIL-C-81659

507-117 NF

Basic Part No. _____
Finish _____

- B = Cadmium Plate/Olive Drab
- M = Electroless Nickel
- N = Cadmium Plate/Olive Drab over Nickel Plate
- NF = Cadmium Olive Drab over Electroless Nickel (1000 Hour Salt Spray)



1. Metric dimensions (mm) are indicated in parentheses.
2. For effective grounding, connector with conductive finish should be used.
3. Material/Finish:
Backshell = Al Alloy/Finish Per Option
Hardware = Cres/Passivate